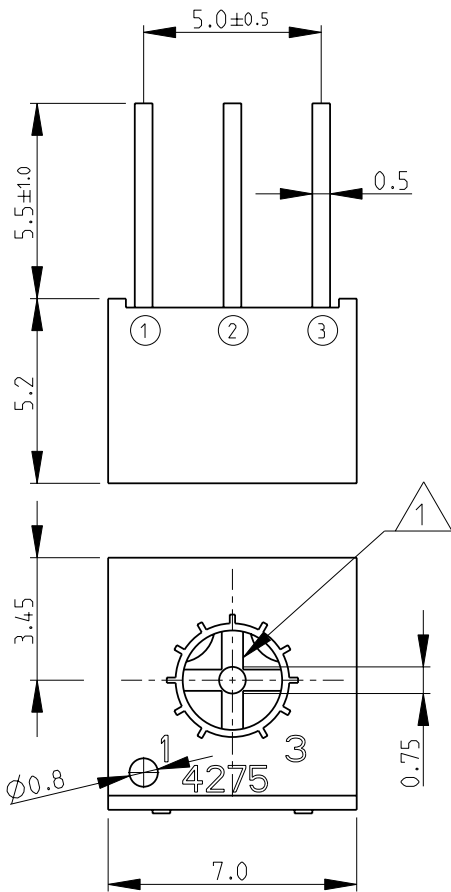
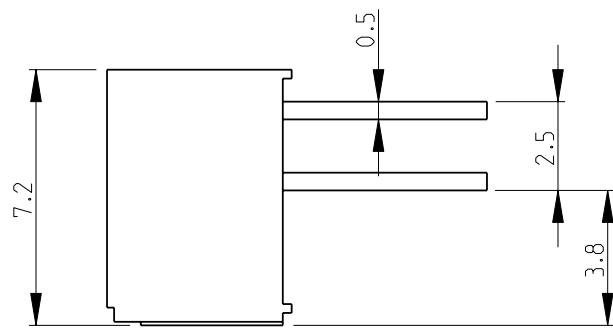


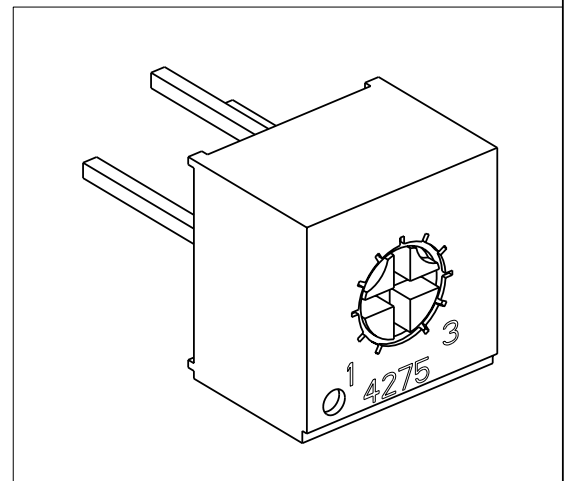
LOC	DIST	REVISIONS				
P	LTR	DESCRIPTION	DATE	DWN	APVD	
E	B	BA	NEW RELEASE	17-NOV-08	SM	St.P



- 1 TOP ADJUSTMENT SLOT:  
LENGTH- 2.8mm, WIDTH- 0.6mm, DEPTH- 0.9mm
- 2 FOR FURTHER INFORMATION SEE DATA SHEET FOR  
4275 SERIES-PROFESSIONAL TRIMMERS



RoHS Compliant



2008

RELEASED FOR PUBLICATION

THIS DRAWING IS UNPUBLISHED.  
© COPYRIGHT 2008 BY TYCO ELECTRONICS CORPORATION. ALL RIGHTS RESERVED.

DIMENSIONS: mm	DWN	SUBHASH.M	17-NOV-08	MATERIAL	-	FINISH	-	
	CHK	PRAKASH.S	17-NOV-08	Tyco Electronics Corporation Dorcan, Swindon, SN3 5HH				
TOLERANCES UNLESS OTHERWISE SPECIFIED:	APVD	STEPHEN.P	17-NOV-08					
	0 PLC	±0.2	PRODUCT SPEC	-	NAME PROFESSIONAL TRIMMERS SERIES 4275P			
1 PLC	±0.1	APPLICATION SPEC	-					
2 PLC	±	WEIGHT	0.6g	SIZE	A 4	CAGE CODE	00779	
3 PLC	±	CUSTOMER DRAWING		DRAWING NO	©=1623900		RESTRICTED TO	-
4 PLC	±			SCALE	5:1	SHEET	1	OF
ANGLES	±5°					REV	BA	