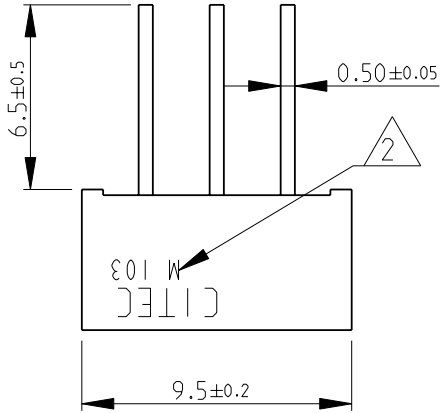
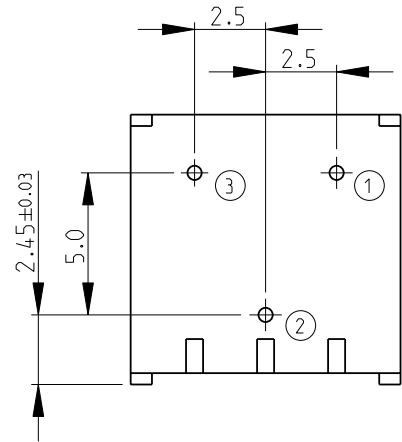
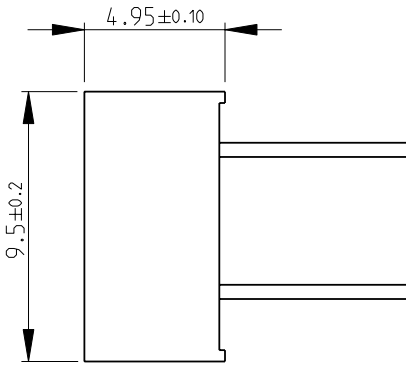
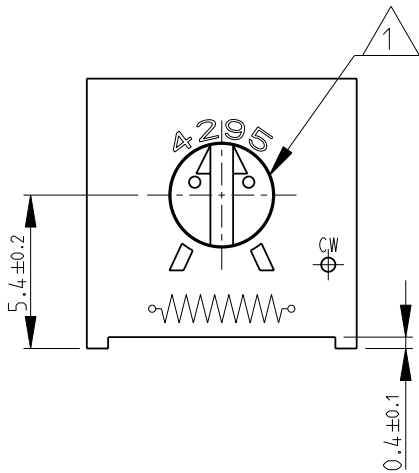


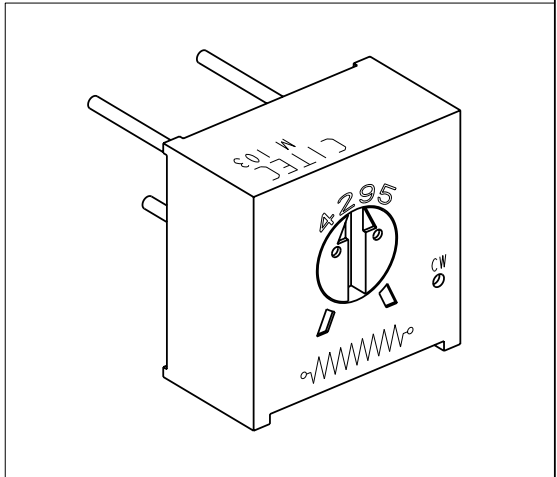
LOC	DIST	REVISIONS				
P	LTR	DESCRIPTION	DATE	DWN	APVD	
E	B	BA	NEW RELEASE	10-Sep-08	SM	St.P



- 1 TOP ADJUSTMENT SLOT:
Length- 3.7 ± 0.2 , Width- 0.8 ± 0.1 , Depth- 0.8 ± 0.1
- 2 MARKING: RESISTANCE VALUE AND PIN ORIENTATION
- 3 FOR FURTHER INFORMATION SEE DATA SHEET FOR
4295 SERIES-PROFESSIONAL TRIMMERS



RoHS Compliant



2008

RELEASED FOR PUBLICATION

© COPYRIGHT 2008 BY TYCO ELECTRONICS CORPORATION. ALL RIGHTS RESERVED.

THIS DRAWING IS UNPUBLISHED.

DIMENSIONS: mm	DWN	SUBHASH.M	10-Sep-08	MATERIAL	-	FINISH	-	
	CHK	PRAKASH.S	10-Sep-08	Tyco Electronics Corporation Dorcan, Swindon, SN3 5HH				
TOLERANCES UNLESS OTHERWISE SPECIFIED:	APVD	STEPHEN.P	10-Sep-08					
	0 PLC	±0.2	PRODUCT SPEC	-	NAME			PROFESSIONAL TRIMMERS SERIES 4295M
1 PLC	±0.1	APPLICATION SPEC	-	SIZE	CAGE CODE	DRAWING NO	RESTRICTED TO	
2 PLC	±	WEIGHT	-	A 4	00779	©=1623837	-	
3 PLC	±	CUSTOMER DRAWING					SCALE	4:1
4 PLC	±						SCALE	4:1
ANGLES	±5°						REV	BA