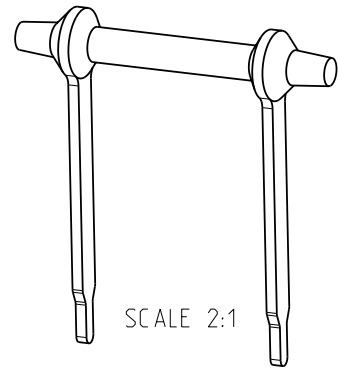
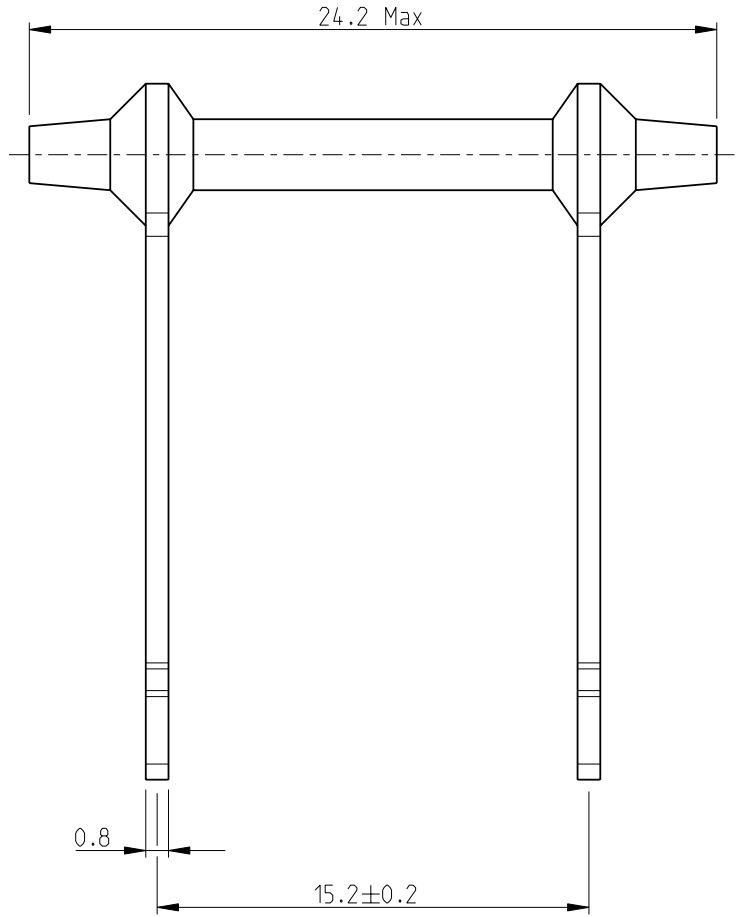
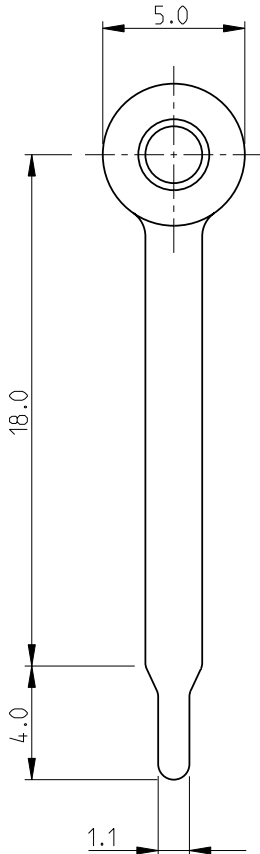


LOC	DIST	REVISIONS				
P	LTR	DESCRIPTION	DATE	DWN	APVD	
E	B	BA1	REVISED PER ECO-11-005150	29MAR2011	RK	HMR



FOR FURTHER INFORMATION SEE DATA SHEET FOR SERIES FC- HIGH POWER RESISTORS

RoHS Compliant

2009
 RELEASED FOR PUBLICATION
 ALL RIGHTS RESERVED.
 BY -
 COPYRIGHT 2009
 THIS DRAWING IS UNPUBLISHED.

DIMENSIONS: mm	DWN	05-AUG-09	MATERIAL	-	FINISH	-
	CHK	05-AUG-09				
TOLERANCES UNLESS OTHERWISE SPECIFIED: 0 PLC ± 0.5 1 PLC ± 0.2 2 PLC ± 0.1 3 PLC ± - 4 PLC ± - ANGLES ± 5°	ALLAN.P	05-AUG-09				
	APVD	05-AUG-09	NAME HIGH POWER RESISTORS SERIES FCB4 (HIGH PROFILE STANDOFF)			
	PRODUCT SPEC	-	SIZE	A 4	CAGE CODE	00779
	APPLICATION SPEC	-	DRAWING NO	C= 1623714		
	WEIGHT	-	RESTRICTED TO			-
			CUSTOMER DRAWING		SCALE	4:1
					SHEET	1 OF 1
					REV	BA1