

4

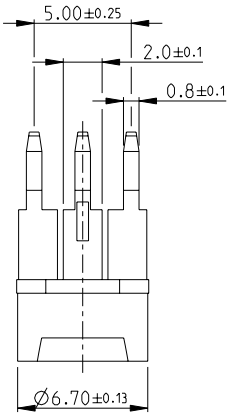
3

2

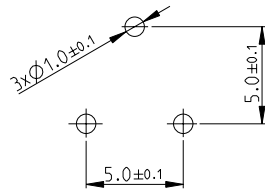
1

THIS DRAWING IS UNPUBLISHED. RELEASED FOR PUBLICATION 2008  
 © COPYRIGHT 2008 BY TYCO ELECTRONICS CORPORATION. ALL RIGHTS RESERVED.

| LOC |     | DIST        |  | REVISIONS |     |      |  |
|-----|-----|-------------|--|-----------|-----|------|--|
| P   | LTR | DESCRIPTION |  | DATE      | DWN | APVD |  |
| BA  |     | NEW RELEASE |  | 27-NOV-08 | SM  | St.P |  |

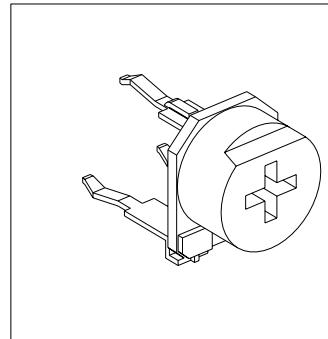
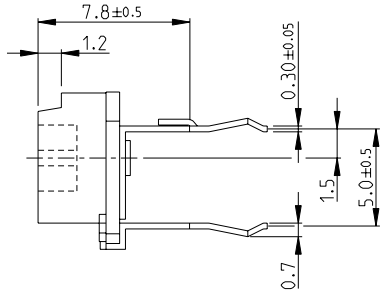
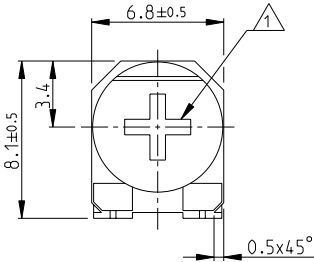


PCB LAYOUT PLAN



⚠ ADJUSTMENT HEAD: CROSS SLOT- 0.8x3.4, Depth-2  
 2 FOR FURTHER INFORMATION SEE DATA SHEET FOR 416 SERIES-ECONOMY TRIMMERS

RoHS Compliant



|   |  |  |  |
|---|--|--|--|
| <small>THIS DRAWING IS A CONTROLLED DOCUMENT FOR TYCO ELECTRONICS CORPORATION<br/>         IT IS SUBJECT TO CHANGE AND THE CONTROLLING ENGINEERING ORGANIZATION<br/>         SHOULD BE CONTACTED FOR THE LATEST REVISION.</small> |  | DWN SUBHASH.M 27-NOV-08<br>CHK PRAKASH.S 27-NOV-08<br>APVD STEPHEN.P 27-NOV-08 | Tyco Electronics Corporation<br>Dorcan, Swindon, SN3 5HH |
| DIMENSIONS:<br>mm   | TOLERANCES UNLESS OTHERWISE SPECIFIED:<br>0 PLC ±0.2<br>1 PLC ±0.1<br>2 PLC ±<br>3 PLC ±<br>4 PLC ±<br>ANGLES ±° | NAME<br>ECONOMY TRIMMERS<br>SERIES 416M  | RESTRICTED TO<br>-                                       |
| MATERIAL -<br>FINISH -  | PRODUCT SPEC -<br>APPLICATION SPEC -<br>WEIGHT -   | SIZE A3<br>CAGE CODE 00779<br>DRAWING NO C-1623893                             | SCALE 5:1<br>SHEET 1 OF 1<br>REV BA                      |
| CUSTOMER DRAWING  |  |  |  |