

4

3

2

1

THIS DRAWING IS UNPUBLISHED.

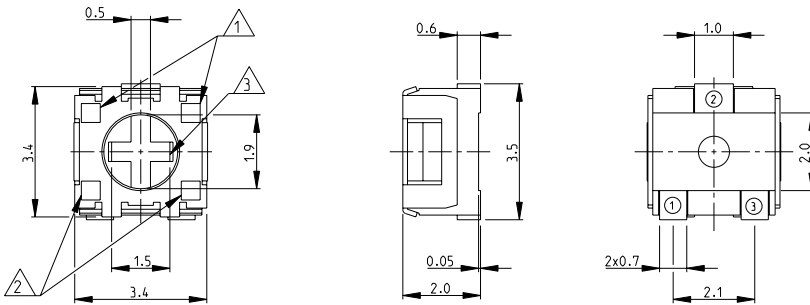
RELEASED FOR PUBLICATION 2008

© COPYRIGHT 2008 BY -

ALL RIGHTS RESERVED.

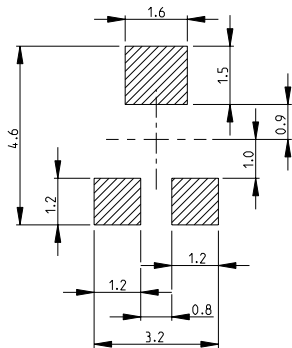
LOC	DIST	REVISIONS			
P	LTR	DESCRIPTION	DATE	DNW	APVD
	BA1	REVISED PER ECO-11-005150	29MAR2011	RK	HMR

- 1 DATE CODE
- 2 RESISTANCE CODE 2 DIGITS
- 3 CROSS SLOT FOR "0" BIT DRIVER, DEPTH: 0.45mm
- 4 FOR FURTHER INFORMATION SEE DATA SHEET FOR 3203 SERIES-SMD TRIMMERS

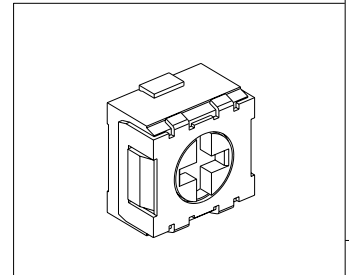
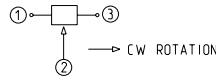


RoHS Compliant

RECOMMENDED LAND PATTERN



CIRCUIT DIAGRAM



THIS DRAWING IS A CONTROLLED DOCUMENT.		OWN	SUBHASH.M	12-NOV-08	TE Connectivity	SMD TRIMMERS SERIES 3203		RESTRICTED TO -	
DIMENSIONS: mm		CHE	PRAKASH.S	12-NOV-08		PRODUCT SPEC	-		
TOLERANCES UNLESS OTHERWISE SPECIFIED: 0 PLC ± 0.2 1 PLC ± 0.1 2 PLC ± - 3 PLC ± - 4 PLC ± - ANGLES ± 5°		APVD	STEPHEN.P	12-NOV-08		APPLICATION SPEC	-		
MATERIAL		FINISH		SIZE	A 3	CAGE CODE	00779	DRAWING NO	1623916
CUSTOMER DRAWING				SCALE	10:1	SHEET	1	OF	1
				REV	BA1				

1470-19 (3/11)

Pro/ENGINEER DRAWING