

4

3

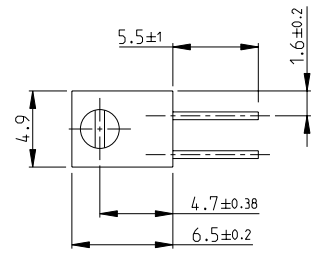
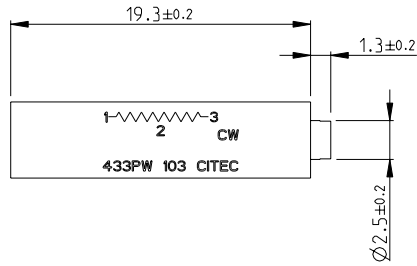
2

1

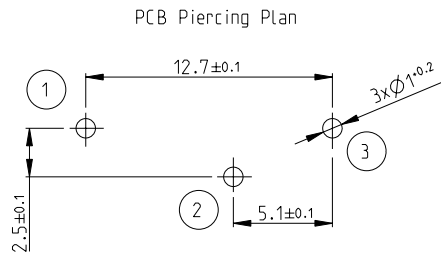
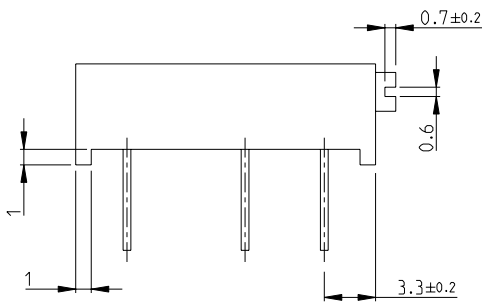
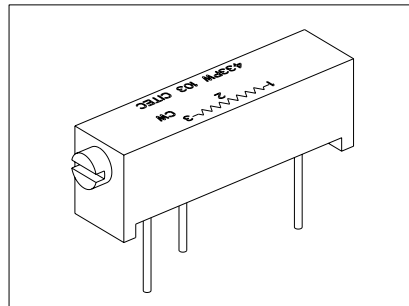
THIS DRAWING IS UNPUBLISHED. RELEASED FOR PUBLICATION 2008
 © COPYRIGHT 2008 BY TYCO ELECTRONICS CORPORATION. ALL RIGHTS RESERVED.

LOC		DIST		REVISIONS			
P	LTR	DESCRIPTION		DATE	DWN	APVD	
A		NEW RELEASE		07-07-08	SM	ST.P	

FOR FURTHER INFORMATION SEE DATA SHEET FOR
 433PW SERIES-PROFESSIONAL TRIMMERS



RoHS Compliant



<small>THIS DRAWING IS A CONTROLLED DOCUMENT FOR TYCO ELECTRONICS CORPORATION IT IS SUBJECT TO CHANGE AND THE CONTROLLING ENGINEERING ORGANIZATION SHOULD BE CONTACTED FOR THE LATEST REVISION.</small>		DWN 07-07-08 CHK SUBHASH PRAKASH 07-07-08 APVD STEPHEN.P 07-07-08	Tyco Electronics Corporation Dorcan, Swindon, SN3 5HH
DIMENSIONS: mm	TOLERANCES UNLESS OTHERWISE SPECIFIED: 0 PLC ±0.5 1 PLC ±0.2 2 PLC ±0.1 3 PLC ± 4 PLC ± ANGLES ±	NAME PROFESSIONAL TRIMMERS SERIES 433PW	RESTRICTED TO -
MATERIAL - FINISH -		SIZE A3 CAGE CODE 00779 DRAWING NO C-1623866	CUSTOMER DRAWING SCALE 4:1 SHEET 1 OF 1 REV A