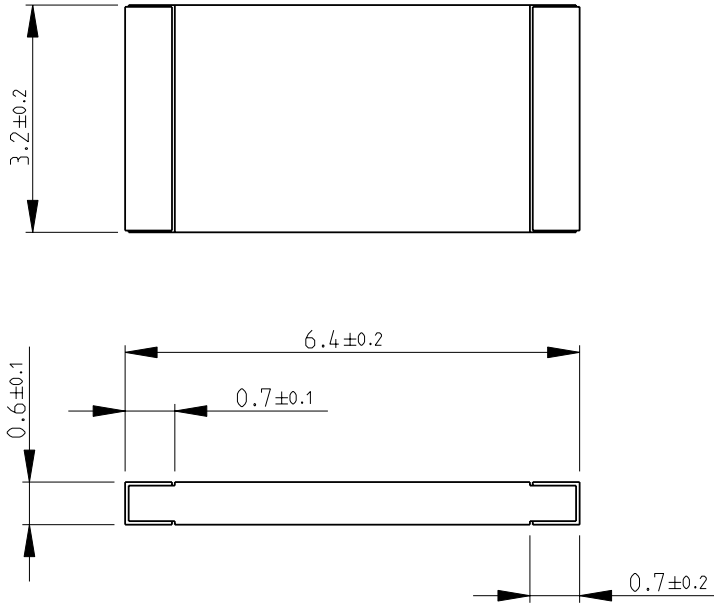
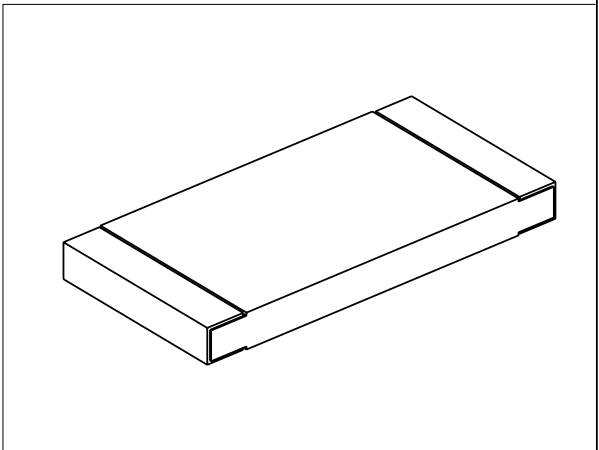


LOC	DIST	REVISIONS				
P	LTR	DESCRIPTION	DATE	DWN	APVD	
E	B	BA1	REVISED PER ECO-11-005150	28MAR2011	RK	HMR



FOR FURTHER INFORMATION SEE DATA SHEET FOR 3520 SERIES-SMD POWER RESISTORS

RoHS Compliant



2008

RELEASED FOR PUBLICATION

ALL RIGHTS RESERVED.

BY -

© COPYRIGHT 2008

THIS DRAWING IS UNPUBLISHED.

DIMENSIONS: mm	DWN	SUBHASH.M	01-DEC-08	MATERIAL	-	FINISH	-
	CHK	PRAKASH.S	01-DEC-08				
TOLERANCES UNLESS OTHERWISE SPECIFIED:	APVD	STEPHEN.P	01-DEC-08				
0 PLC ±0.2	PRODUCT SPEC	-	NAME	SMD POWER RESISTOR SERIES 3520			
1 PLC ±0.1	APPLICATION SPEC	-	SIZE	CAGE CODE	DRAWING NO	RESTRICTED TO	
2 PLC ±	WEIGHT	-	A 4	00779	©=1622820	-	
3 PLC ±	CUSTOMER DRAWING			SCALE	10:1	SHEET	1 OF 1
4 PLC ±						REV	BA1
ANGLES ±5°							

