

4

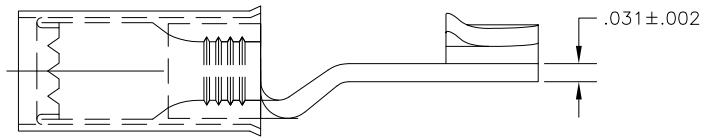
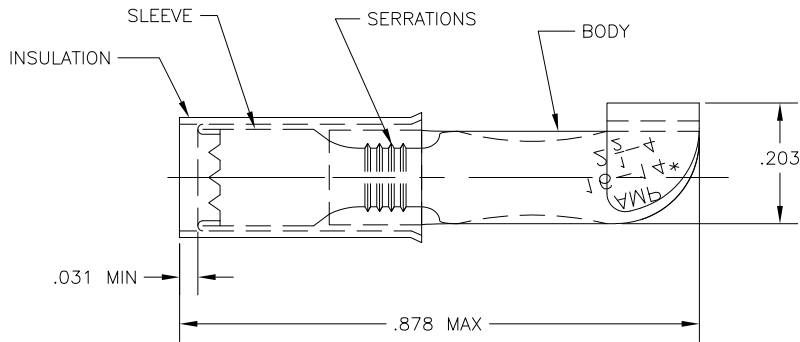
3

2

1

THIS DRAWING IS UNPUBLISHED. RELEASED FOR PUBLICATION
COPYRIGHT - By - ALL RIGHTS RESERVED.

LOC	DIST	REVISIONS			
P	LTR	DESCRIPTION	DATE	DWN	APVD
G	02	REVISED PER ECO-11-004917	11MAR11	RK	HMR



100	LOOSE PIECE, BOX	INSULATION: NYLON, COLOR BLUE SLEEVE: COPPER PER ASTM B152 BODY: COPPER PER ASTM B152 TIN PLATE PER ASTM B545	8-32448-1
4000	32448 ON TAPE		2-32448-1
1	WIRE TERMINAL		1 32448
QTY	DESCRIPTION	MATERIAL	PART NO

THIS DRAWING IS A CONTROLLED DOCUMENT.

DIMENSIONS: INCHES	TOLERANCES UNLESS OTHERWISE SPECIFIED:	DWN jr_ruth 13MAR09	STE TE Connectivity	
	0 PLC ± - 1 PLC ± - 2 PLC ± - 3 PLC ± .008 4 PLC ± - ANGLES ± 5'	CHK TOM_MICHELUTTI 13MAR09		
MATERIAL SEE TABLE	FINISH SEE TABLE	APVD TOM_MICHELUTTI 13MAR09	NAME TERMINAL, PIDG KNIFE DISCONNECT, WIRE SIZE 16-14 AWG	
		PRODUCT SPEC APPLICATION SPEC	SIZE A3	CAGE CODE 00779
		WEIGHT -	DRAWING NO C-32448	RESTRICTED TO -
CUSTOMER DRAWING			SCALE 8:1	SHEET 1 of 1