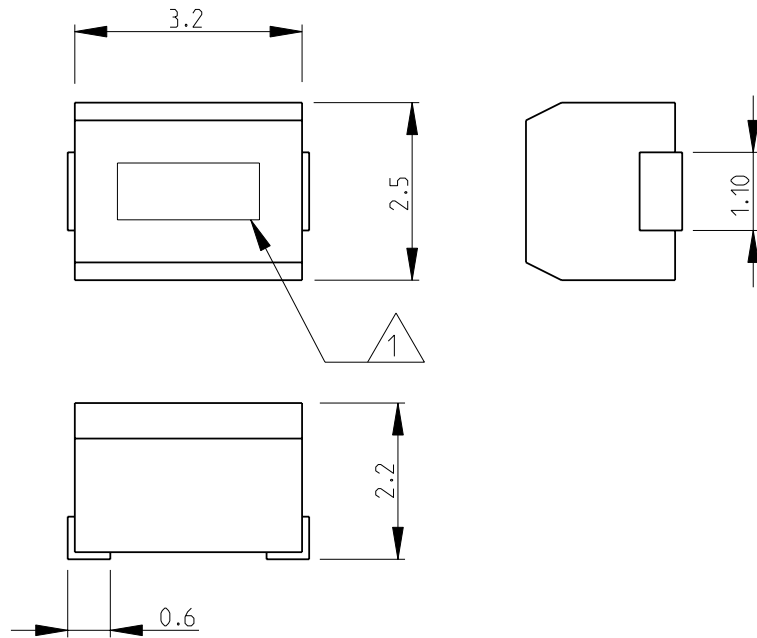
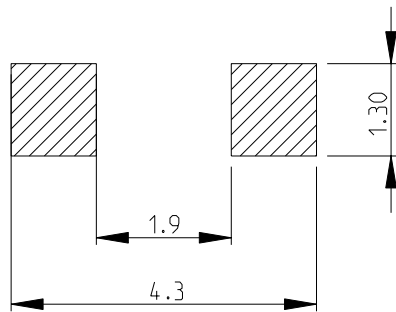


LOC	DIST	REVISIONS				
P	LTR	DESCRIPTION	DATE	DWN	APVD	
E	B	BA	NEW RELEASE	01-DEC-08	SM	St.P

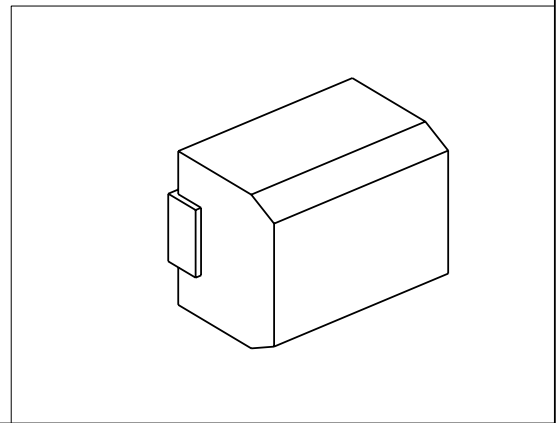


- 1 INDUCTANCE CODE
- 2 FOR FURTHER INFORMATION SEE DATA SHEET FOR 3612 SERIES-SMD CHIP INDUCTOR

RECOMMENDED LAND PATTERN



RoHS Compliant



2008  
 RELEASED FOR PUBLICATION  
 THIS DRAWING IS UNPUBLISHED.  
 BY TYCO ELECTRONICS CORPORATION. ALL RIGHTS RESERVED.  
 COPYRIGHT 2008

DIMENSIONS: mm	DWN	SUBHASH.M	01-DEC-08	MATERIAL	-	FINISH	-
	CHK	PRAKASH.S	01-DEC-08	Tyco Electronics Corporation Dorcan, Swindon, SN3 5HH			
TOLERANCES UNLESS OTHERWISE SPECIFIED: 0 PLC ±0.2 1 PLC ±0.1 2 PLC ± 3 PLC ± 4 PLC ± ANGLES ±5°	APVD	STEPHEN.P	01-DEC-08				
	PRODUCT SPEC	-		NAME			
	APPLICATION SPEC	-		SMD CHIP INDUCTOR SERIES 3612T			
	WEIGHT	-		SIZE	A 4	CAGE CODE	00779
				DRAWING NO	C= 1624106		RESTRICTED TO
							-
	CUSTOMER DRAWING			SCALE	10:1	SHEET	1 OF 1
							REV BA