

4

3

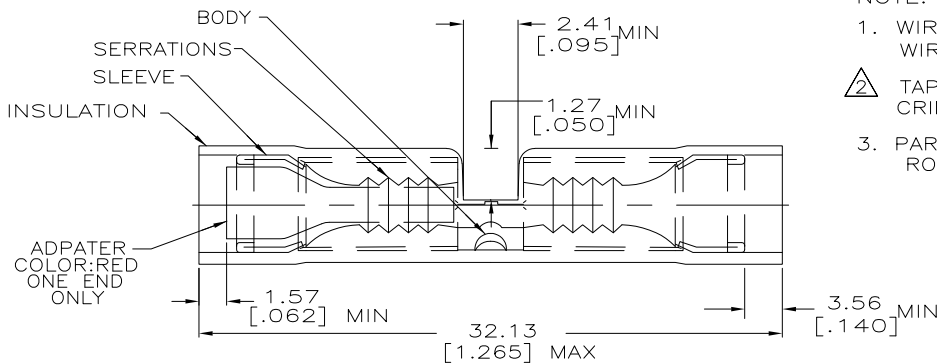
2

1

THIS DRAWING IS UNPUBLISHED. RELEASED FOR PUBLICATION
 © COPYRIGHT - By - ALL RIGHTS RESERVED.

LOC	DIST	REVISIONS			
P	LTR	DESCRIPTION	DATE	DWN	APVD
G	14	L1	REVISED PER ECO-11-004917	11MAR11	RK HMR

AMP WIRE RANGE	Listed FILE E13288	LR7189 Certified
16-14 TO 22-18 AWG STRANDED	16-14 TO 22-18 AWG STRANDED	16-14 TO 22-18 AWG STRANDED



NOTE:

1. WIRE INSULATION DIA 2.67[.105] TO 3.81[.150]
WIRE INSULATION DIA 1.27[.050] TO 2.92[.115]
2. TAPE APPLIED TO PART SUCH THAT ADAPTER END IS CRIMPED IN APPLICATOR
3. PARTS MANUFACTURED AFTER MAY 2005 ARE ROHS COMPLIANT.

2500	ON TAPE	2-327583-1
50	LOOSE PIECE	327583
QTY	PACKAGE TYPE	PART NUMBER

AMP INCORPORATED CUSTOMER SERVICE SYSTEMS		MAX RECOMMENDED OPERATING TEMPERATURE: 105° C	THIS DRAWING IS A CONTROLLED DOCUMENT.		DWN S.S. GOULDEN 9-28-93	TE Connectivity	
FOR ADDITIONAL PRODUCT INFORMATION OR COPIES OF DRAWINGS AND TECHNICAL DOCUMENTS	PRODUCT INFORMATION CENTER 1-800-522-6752	VOLTAGE RATING: 300V MAX	DIMENSIONS: INCHES	TOLERANCES UNLESS OTHERWISE SPECIFIED: 0 PLC ± - 1 PLC ± - 2 PLC ± 0.20[.008] 3 PLC ± - 4 PLC ± - ANGLES ± -	CHK R. HERSEY 9-28-93	NAME I. MICHELUTTI 9-28-93	
FOR APPLICATION TOOLING INFORMATION	TOOLING ASSISTANCE CENTER 1-800-722-1111	CIRCULAR MIL AREA: 1.04-2.62mm ² [2,050-5,180] 0.26-0.96mm ² [509-1,900] STRANDED		MATERIAL COPPER ASTM B-152	APVD T. MICHELUTTI 9-28-93	PRODUCT SPEC APPLICATION SPEC WEIGHT -	
FOR ORDER ENTRY	1-800-526-5142	THIS DRAWING IS A CONTROLLED DOCUMENT FOR AMP INCORPORATED. IT IS SUBJECT TO CHANGE AND THE CONTROLLING ENGINEERING ORGANIZATION SHOULD BE CONTACTED FOR THE LATEST REVISION.	FINISH TIN PLATE	CUSTOMER DRAWING	SIZE A3	CAGE CODE 00779	DRAWING NO C-327583
					RESTRICTED TO	SCALE 1:1	SHEET 1 OF 1
					REV L1		