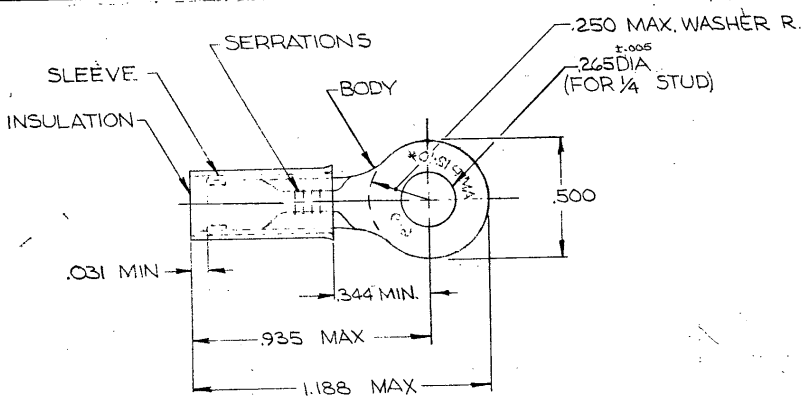


DRAWING MADE IN AMERICAN PROJECTION

©

REVISIONS				
ZONE	LTR	DESCRIPTION	DATE	APPROVED
	J1	REVISED PER ECO-11-005294	07 APR 11	HMR



FOR .150 TO .230 INSULATION DIA.
TONGUE MATERIAL .THK = .040 ±.002

OBSOLETE
INACTIVE ©

QTY	DESCRIPTION	PART NO.	MATERIAL & FINISH
50	LOOSE PC. BOX	8-35273-2	INSULATION, SLEEVE, AND BODY: SAME AS 35273
1	2-35273-1 ON TAPE	2-35273-1	INSULATION: GREEN PVC
1	WIRE TERMINAL	2-35273-1	SLEEVE: COPPER (ASTM B152) BODY: COPPER (ASTM B152) TIN PL (ASTM B545)
1	35273 ON TAPE	2-35273-2	INSULATION: YELLOW NYLON SLEEVE: COPPER (ASTM B152)
1	WIRE TERMINAL	35273	BODY: COPPER (ASTM B152) TIN PL (ASTM B545)

UNLESS OTHERWISE SPECIFIED DIMENSIONS ARE IN INCHES TOLERANCES ON: DECIMALS ±.008 ANGLES ±5°	CONTRACT NO.	TE Connectivity		
	DR. <i>W. Miller</i> 4-23-70			NAME
	CHECKED <i>M. Ensign</i> 5-18-70	WIRE TERMINAL P.I.D.G. - RING TONGUE WIRE SIZE: 12-10		
	APPROVED <i>W. Miller</i> 5-18-70	SIZE B	CODE IDENT NO. 00779	NUMBER 35273
MATERIAL SEE TABLE	REL. <i>W. Miller</i> 5-18-70	DSGN APPD	SCALE N.T.S.	SHEET 1 OF 1
	OTHER APPD		CUSTOMER DRAWING	