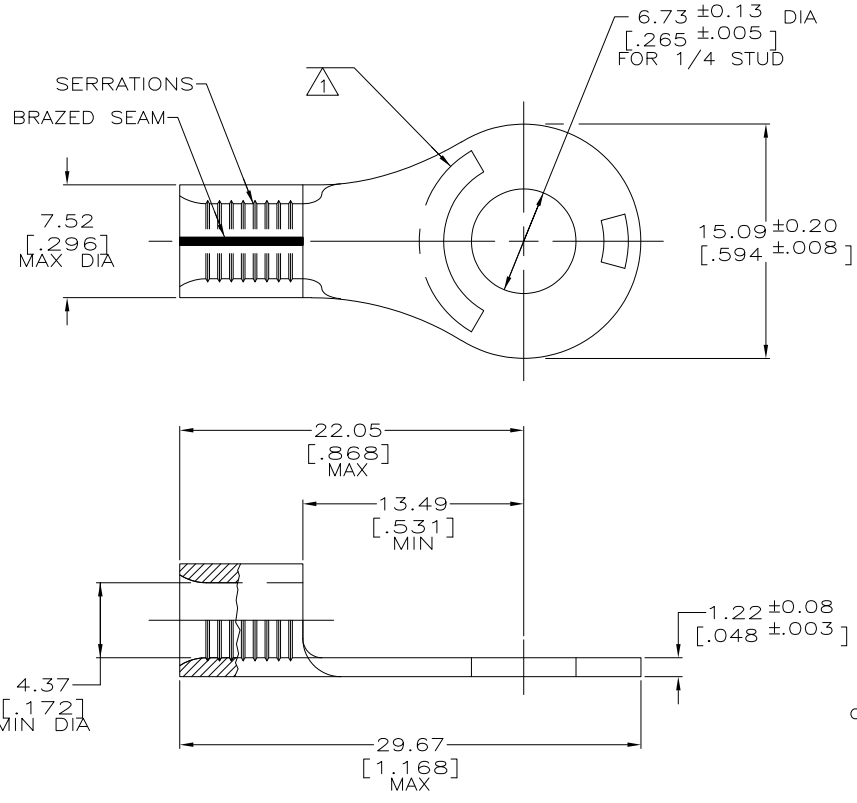


THIS DRAWING IS UNPUBLISHED. RELEASED FOR PUBLICATION
 © COPYRIGHT - By - ALL RIGHTS RESERVED.

| LOC | DIST | REVISIONS | | | |
|-----|------|---------------------------|---------|-----|------|
| P | LTR | DESCRIPTION | DATE | DWN | APVD |
| G1 | | REVISED PER ECO-11-004917 | 11MAR11 | RK | HMR |



| | |
|----------------------------|---------------------------|
| AMP WIRE RANGE | E13288 Listed |
| 8 AWG SOLID OR STRANDED | 8 AWG STRANDED |
| LR7189 Certified | MILITARY P/N AND CLASS |
| 8 AWG SOLID OR STRANDED | NOT APPLICABLE |

- △1 STAMP AMP 8* 14 APPROX AS SHOWN
- △2 TIN PL 0.00254[.000100] MIN THK PER ASTM B-545
- △3 NICKEL PL 0.00162[.000300] MIN THK PER QQ-N-290
- △4 PRELIMINARY - NOT FOR PRODUCTION

| QTY | PACKAGE TYPE | FINISH | AMP PART NUMBER |
|-------|-----------------------|---------|-----------------|
| 50 | LOOSE PIECE, BOX | - | 8-35247-2 |
| 1,500 | MOUNTED ON TAPE, REEL | △2 - △4 | 2-35247-2 |
| - | LOOSE PIECE | △3 - | 2-35247-1 |
| - | LOOSE PIECE | △4 - | 35247 |

OBsolete

| | | | | | | | |
|--|---|----------------------------|--|---|--|---|-----------------------------------|
| AMP INCORPORATED CUSTOMER SERVICE SYSTEMS | | | THIS DRAWING IS A CONTROLLED DOCUMENT. | | DWN 22AUG97 DK SCHRUM CHK 22AUG97 MJ SPICER APVD 22AUG97 JL MECKLEY PRODUCT SPEC APPLICATION SPEC WEIGHT - CUSTOMER DRAWING | TE Connectivity NAME TERMINAL, RING TONGUE, SOLISTRAND™ SIZE CAGE CODE DRAWING NO RESTRICTED TO A3 00779 C-35247 - | |
| FOR ADDITIONAL PRODUCT INFORMATION OR COPIES OF DRAWINGS AND TECHNICAL DOCUMENTS PRODUCT INFORMATION CENTER 1-800-522-6752 | RECOMMENDED OPERATING TEMPERATURE: 170° C MAX VOLTAGE RATING: NOT APPLICABLE | DIMENSIONS: mm [INCHES] | TOLERANCES UNLESS OTHERWISE SPECIFIED: 0 PLC ± - 1 PLC ± - 2 PLC ± - 3 PLC ± - 4 PLC ± - ANGLES ± - FINISH SEE TABLE | MATERIAL COPPER PER ASTM B-152 ANNEALED | WIRE CROSS SECTIONAL AREA RANGE: 6.64-10.50mm² [13,100-20,800] CIR MILS SOLID OR STRANDED | FOR APPLICATION TOOLING INFORMATION TOOLING ASSISTANCE CENTER 1-800-722-1111 | FOR ORDER ENTRY 1-800-526-5142 |

1470-19 (3/11)