

4

3

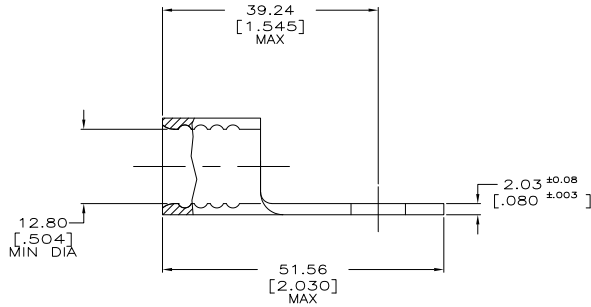
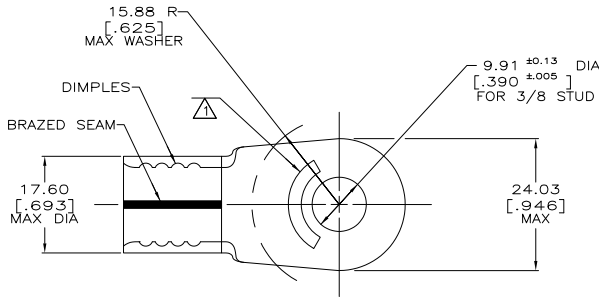
2

1

THIS DRAWING IS UNPUBLISHED. RELEASED FOR PUBLICATION  
 © COPYRIGHT BY TYCO ELECTRONICS CORPORATION. ALL INTERNATIONAL RIGHTS RESERVED.

LOC		DIST		REVISIONS		
P	LTR	DESCRIPTION	DATE	BY	APP'D	
G	14	N	REV PER EDR 10-000722	25JAN10	JR TM	

<b>AMP</b> WIRE RANGE	E13288 Listed	LR7189 Certified
2/0 AWG SOLID OR STRANDED	2/0 AWG STRANDED	2/0 AWG SOLID OR STRANDED



- 1 STAMP AMP 2/0W\* APPROX AS SHOWN
- 2 COPPER PER ASTM B-152, ANNEALED
- 3 TIN PLATE 0.00254 [0.000100] MIN THK EXT. PER ASTM B-545
- 4 MAX RECOMMENDED OPERATING TEMP IS 170°C.
- 5 WIRE CROSS SECTIONAL AREA RANGE: 60.6-76.3mm² [119,500-150,500] CMA SOLID OR STRANDED.

25	SMALL PACK	8-36923-3
50	LOOSE PIECE	36923
QTY	PACKAGING TYPE	PART NO.

THIS DRAWING IS A CONTROLLED DOCUMENT.		DRK SCHRUM 1/14/94	Tyco Electronics Corporation Harrisburg, PA 17105-3608	
DIMENSIONS: MM [ INCHES ]		CK AL KAUFMAN 1/19/94	TERMINAL, RING TONGUE, SOLISTRAND	
TOLERANCES UNLESS OTHERWISE SPECIFIED:		APP'D JIL MECKLEY 1/19/94	APPLICATION SPEC	RESTRICTED TO
0 PLG	± .000	PRODUCT SPEC	SIZE	00779 C=36923
1 PLG	± .001	APPLICATION SPEC	WEIGHT	SCALE 2:1 SHEET 1 of 1 REV N
2 PLG	± .002	CUSTOMER DRAWING		
3 PLG	± .003			
4 PLG	± .004			
ANGLES	± .005			
FINISH	± .005			

1471-9 (1/08)

36923

A