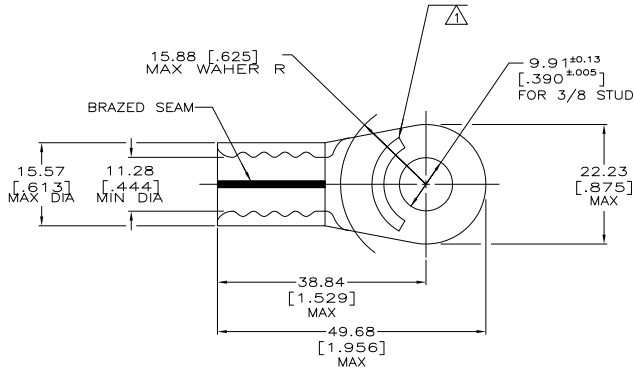


THIS DRAWING IS UNPUBLISHED. RELEASED FOR PUBLICATION. ALL RIGHTS RESERVED.

AMP PART NO	MATERIAL	PKG TYPE	QTY
8-36917-3	M/F 8-36917-0	BOX	25
8-36917-5	M/F 8-36917-0	BAG	5

REV	DATE	DESCRIPTION	BY	APPD
L3	11MAR11	REVISED PER ECO-11-004917	RK	HMR

AMP WIRE RANGE	Listed FILE E13288	LR7189 Certified
1/0 AWG STRANDED	1/0 AWG STRANDED	1/0 AWG STRANDED



- 1 STAMP AMP 1/0W\* APPROX AS SHOWN
- 2 MATERIAL THK: 1.78  $\pm 0.08$  [.070  $\pm 0.003$ ]
- 3 0.00254 [.000100] MIN TIN PLATE PER ASTM B-545

AMP INCORPORATED CUSTOMER SERVICE SYSTEMS		MAX RECOMMENDED OPERATING TEMPERATURE: 170° C MAX
FOR ADDITIONAL PRODUCT INFORMATION OR COPIES OF DRAWINGS AND TECHNICAL DOCUMENTS	PRODUCT INFORMATION CENTER 1-800-522-6752	VOLTAGE RATING: N/A
FOR APPLICATION TOOLING INFORMATION	TOOLING ASSISTANCE CENTER 1-800-722-1111	CIRCULAR MIL AREA: 42.4-60.6mm <sup>2</sup> [83,700-119,500] SOLID OR STRANDED
FOR ORDER ENTRY	1-800-526-5142	THIS DRAWING IS A CONTROLLED DOCUMENT FOR AMP INCORPORATED. IF IS SUBJECT TO CHANGE AND THE CONTROLLING ENGINEERING ORGANIZATION SHOULD BE CONTACTED FOR THE LATEST REVISION.

THIS DRAWING IS A CONTROLLED DOCUMENT.		DN DK SCHRUM 7/21/91	36917																					
DIMENSIONS: mm[INCHES]		DR RD HEIM 8/15/91	PART NO.																					
TOLERANCES UNLESS OTHERWISE SPECIFIED:		APP AJ KAUFFEMAN 8/15/91	TE Connectivity																					
<table border="1"> <tr><td>Ø</td><td>PLC</td><td>±</td><td>-</td></tr> <tr><td>□</td><td>PLC</td><td>±</td><td>0.20[.008]</td></tr> <tr><td>∠</td><td>PLC</td><td>±</td><td>-</td></tr> <tr><td>H</td><td>PLC</td><td>±</td><td>-</td></tr> <tr><td>ANGLE</td><td>PLC</td><td>±</td><td>-</td></tr> </table>		Ø	PLC	±	-	□	PLC	±	0.20[.008]	∠	PLC	±	-	H	PLC	±	-	ANGLE	PLC	±	-	PRODUCT SPEC	TERMINAL, RING TONGUE, SOLISTRAND	
Ø	PLC	±	-																					
□	PLC	±	0.20[.008]																					
∠	PLC	±	-																					
H	PLC	±	-																					
ANGLE	PLC	±	-																					
MATERIAL: COPPER ASTM B-152 ANNEALED		FINISH: 3	APPLICATION SPEC	RESTRICTED TO																				
CUSTOMER DRAWING		WEIGHT	SIZE: A2	CAGE CODE: 00779																				
		DRAWING NO: 36917	SCALE: 2:1	SHEET: 1 of 1																				

1471-9 (5/11)

36917