

4

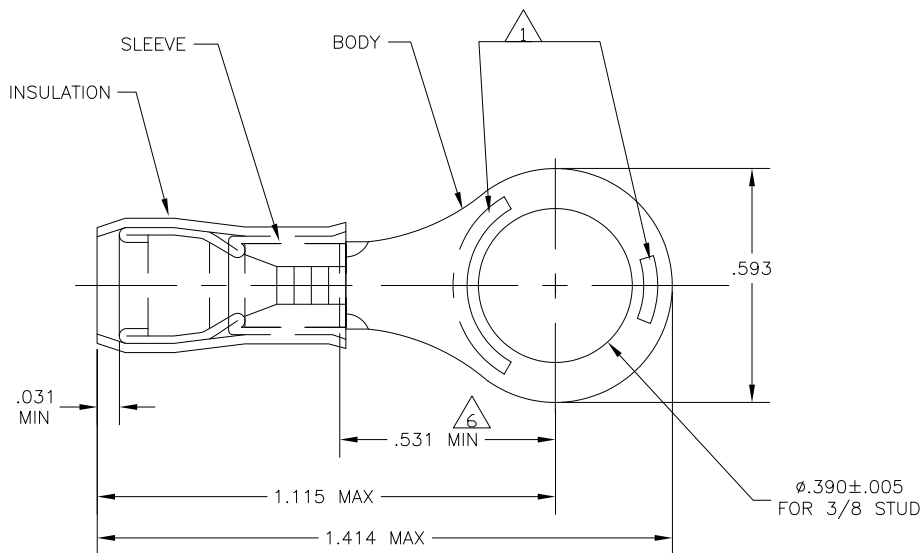
3

2

1

THIS DRAWING IS UNPUBLISHED. RELEASED FOR PUBLICATION
 © COPYRIGHT - By - ALL RIGHTS RESERVED.

LOC	DIST	REVISIONS			
P	LTR	DESCRIPTION	DATE	DWN	APVD
G	14				
	G4	REVISED PER ECO-11-004917	11MAR11	RK	HMR



- ① STAMP AMP 12-10* 6-9 APPROX AS SHOWN
- 2 WIRE INSULATION DIA: .150-.250
- 3 TONGUE MATERIAL THK: .039±.002
- ④ BODY & SLEEVE: TIN PLATE PER ASTM B545
- ⑤ BODY & SLEEVE- CU PER ASTM B152 INSULATION - NYLON, COLOR - YELLOW
- ⑥ APPLIES FROM EDGE OF METAL WIRE BARREL TO CENTER OF STUD HOLE.
- ⑦ SUPERSEDED BY 8-35112-1
- ⑧ MEETS MS25036-114, CLASS 1 & 2

-5	LOOSE PIECE, BOX	7-35112-4	⑦
-25	LOOSE PIECE, BOX	8-35112-4	⑦
100	LOOSE PIECE, BOX	8-35112-1	
1000	TAPE & REEL	2-35112-2	
500	LOOSE PIECE	35112	⑧
QTY	PACKAGE TYPE	PART NO	

AMP INCORPORATED CUSTOMER SERVICE SYSTEMS		MAX RECOMMENDED OPERATING TEMPERATURE: 105°C MAX	THIS DRAWING IS A CONTROLLED DOCUMENT.		DWN JR RUTH 22MAR07	TE Connectivity															
FOR ADDITIONAL PRODUCT INFORMATION OR COPIES OF DRAWINGS AND TECHNICAL DOCUMENTS	PRODUCT INFORMATION CENTER 1-800-522-6752	VOLTAGE RATING: 300 VOLT MAX	DIMENSIONS: INCHES	<table border="1"> <thead> <tr> <th colspan="2">TOLERANCES UNLESS OTHERWISE SPECIFIED:</th> </tr> </thead> <tbody> <tr><td>0 PLC</td><td>± -</td></tr> <tr><td>1 PLC</td><td>± -</td></tr> <tr><td>2 PLC</td><td>± -</td></tr> <tr><td>3 PLC</td><td>± .008</td></tr> <tr><td>4 PLC</td><td>± -</td></tr> <tr><td>ANGLES</td><td>± -</td></tr> </tbody> </table>	TOLERANCES UNLESS OTHERWISE SPECIFIED:		0 PLC	± -	1 PLC	± -	2 PLC	± -	3 PLC	± .008	4 PLC	± -	ANGLES	± -	CHK T MICHELUTTI 22MAR07	NAME	
TOLERANCES UNLESS OTHERWISE SPECIFIED:																					
0 PLC	± -																				
1 PLC	± -																				
2 PLC	± -																				
3 PLC	± .008																				
4 PLC	± -																				
ANGLES	± -																				
FOR APPLICATION	TOOLING ASSISTANCE CENTER 1-800-722-1111	CIRCULAR MIL AREA: 2.62-6.64mm ² [5,180-13,100] STRANDED OR SOLID		APVD T MICHELUTTI 22MAR07	PRODUCT SPEC		TERMINAL, RING TONGUE, P.I.D.G. WIRE SIZE: 12-10 AWG														
TOOLING INFORMATION	1-800-722-1111	THIS DRAWING IS A CONTROLLED DOCUMENT FOR AMP INCORPORATED. IT IS SUBJECT TO CHANGE AND THE CONTROLLING ENGINEERING ORGANIZATION SHOULD BE CONTACTED FOR THE LATEST REVISION.	MATERIAL	FINISH	APPLICATION SPEC	SIZE	RESTRICTED TO														
FOR ORDER ENTRY	1-800-526-5142		⑤	④	WEIGHT	CAGE CODE															
						DRAWING NO															
						00779															
						35112															
					CUSTOMER DRAWING	SCALE															
						4:1															
						SHEET															
						1 OF 1															
						REV															
						G4															

1470-19 (3/11)