

4

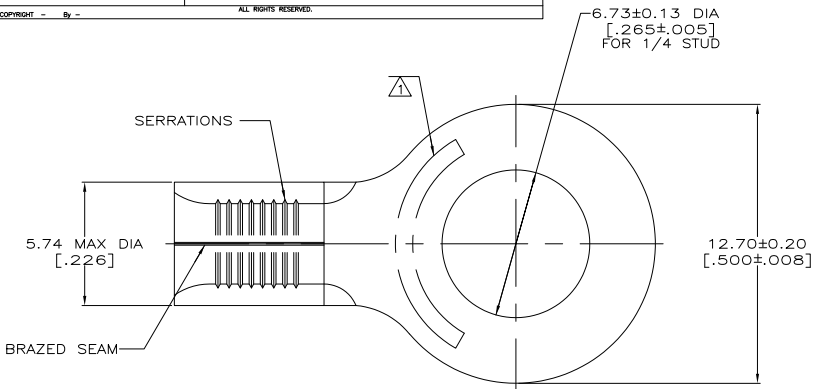
3

2

1

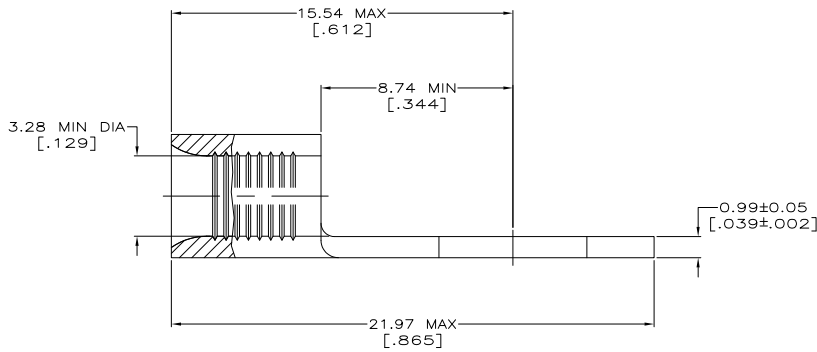
THIS DRAWING IS UNPUBLISHED. RELEASED FOR PUBLICATION. ALL RIGHTS RESERVED.

LOC	DIST	REVISIONS		DAP	DATE	MIN	APD
G	14	P	LR				
		E3		REVISED PER ECO-11-005027	11MAR11	RK	HMR



AMP WIRE RANGE	Listed FILE E13288	LR7189 Certified
12-10 AWG SOLID OR STRANDED	12-10 AWG STRANDED	12-10 AWG SOLID OR STRANDED

- 1 STAMP AMP 12-10* APPROX AS SHOWN
- 2 MATERIAL: COPPER PER ASTM B-152, ANNEALED
- 3 TIN PLATE 0.00254 [.000100] MIN THK PER ASTM B-545.
- 4 GOLD PLATE 0.00127 [.000050] MIN THK PER MIL-G-45204 OVER NICKEL PLATE 0.0076 [.000030] MIN THK PER QQ-N-290.



4	----	LOOSE PIECE	35772-1
3	25	LOOSE PIECE, BAG	8-35772-5
3	50	LOOSE PIECE, BOX	8-35772-2
3	2500	ON TAPE	2-35772-1
3	----	LOOSE PIECE	35772
FINISH	QTY	PACKAGE TYPE	PART NO.

AMP INCORPORATED CUSTOMER SERVICE SYSTEMS		MAX RECOMMENDED OPERATING TEMPERATURE: 170°C
FOR ADDITIONAL PRODUCT INFORMATION OR COPIES OF DRAWINGS AND TECHNICAL DOCUMENTS 1-800-522-6752	PRODUCT INFORMATION CENTER	VOLTAGE RATING: N/A
FOR APPLICATION TOOLING ASSISTANCE CENTER 1-800-722-1111		CIRCULAR MIL AREA: 242-6.64mm ² [5,180-13,100] SOLID OR STRANDED
FOR ORDER ENTRY 1-800-526-5142	THIS DRAWING IS A CONTROLLED DOCUMENT FOR AMP INCORPORATED. IF SUBSTITUTION OR MODIFICATION SHOULD BE CONTACTED FOR THE LATEST REVISION.	

THIS DRAWING IS A CONTROLLED DOCUMENT.		DR: TA BRINKMAN 3-17-93	TE Connectivity
DIMENSIONS: INCHES		CR: DA PATTERSON 2-17-93	
OTHER DIMENSIONS: MILLIMETERS		DR: JIL MCKEY 3-17-93	NAME: TERMINAL, RING TONGUE, SOLISTRAND
MATERIAL: - 2		FINISH: SEE TABLE	SIZE: A2
			CAGE CODE: 00779
			DRAWING NO: 35772
			RESTRICTED TO: -
			CUSTOMER DRAWING
			SCALE: 8:1 SHEET: 1 of 1 REV: E3

1471-9 (3/11)

35772

A