

4

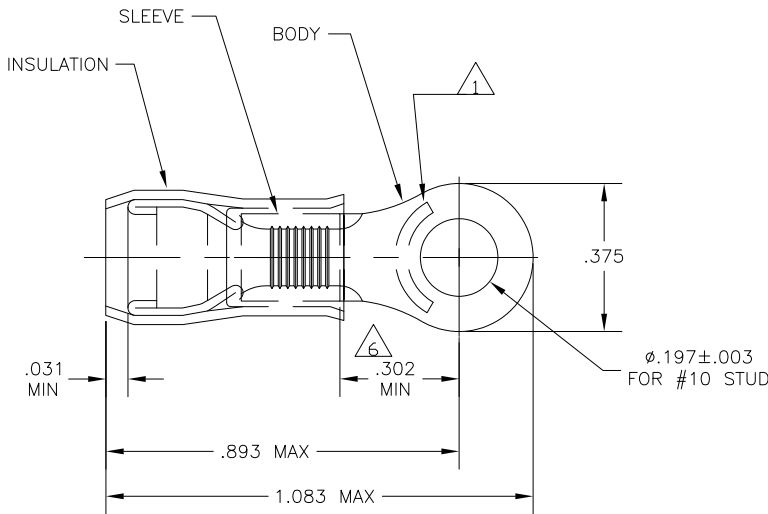
3

2

1

THIS DRAWING IS UNPUBLISHED. RELEASED FOR PUBLICATION  
 © COPYRIGHT - By - ALL RIGHTS RESERVED.

LOC	DIST	REVISIONS			
P	LTR	DESCRIPTION	DATE	DWN	APVD
G	14	S2	REVISED PER ECO-11-004587	11MAR11	RK HMR



- 1 STAMP "AMP 12-10\*" APPROX AS SHOWN
- 2 WIRE INSULATION DIA: .150-.250
- 3 TONGUE MATERIAL THK: .039±.002
- 4 BODY & SLEEVE: TIN PLATE .000100 MIN EXT THK PER ASTM B545
- 5 BODY & SLEEVE- CU PER ASTM B152 INSULATION - NYLON PER ASTM D4066 COLOR - YELLOW
- 6 APPLIES FROM EDGE OF METAL WIRE BARREL TO CENTER OF STUD HOLE.
- 7 MEETS MS25036-112, CLASS 1 & 2
- 8 MEETS MS25036-112, CLASS 2

SUPERSEDED BY 8-35109-5	25	LOOSE PIECE, BOX	9-35109-4
SUPERSEDED BY 8-35109-5	5	LOOSE PIECE, BOX	8-35109-4
	25	LOOSE PIECE, BAG	8-35109-5
	100	LOOSE PIECE, BOX	8-35109-1
	2500	ON TAPE & REEL	2-35109-1
	---	LOOSE PIECE	35109
QTY		PACKAGE TYPE	PART NO

<b>CUSTOMER SERVICE SYSTEMS</b> FOR ADDITIONAL PRODUCT INFORMATION OR COPIES OF DRAWINGS AND TECHNICAL DOCUMENTS PRODUCT INFORMATION CENTER 1-800-522-6752 FOR APPLICATION TOOLING ASSISTANCE CENTER TOOLING INFORMATION 1-800-722-1111 FOR ORDER ENTRY 1-800-526-5142		MAX RECOMMENDED OPERATING TEMPERATURE: 105°C MAX VOLTAGE RATING: 300 VOLT MAX CIRCULAR MIL AREA: 2.62-6.64mm <sup>2</sup> [5,180-13,100] STRANDED OR SOLID	THIS DRAWING IS A CONTROLLED DOCUMENT. DIMENSIONS: INCHES  TOLERANCES UNLESS OTHERWISE SPECIFIED: 0 PLC ± - 1 PLC ± - 2 PLC ± - 3 PLC ± .008 4 PLC ± - ANGLES ± - MATERIAL FINISH 	DWN JR RUTH 16DEC09 CHK T MICHELUTTI 16DEC09 APVD T MICHELUTTI 16DEC09 PRODUCT SPEC APPLICATION SPEC WEIGHT CUSTOMER DRAWING	TE Connectivity TERMINAL, RING TONGUE, PIDG WIRE SIZE: 12-10 AWG SIZE A3 CAGE CODE 00779 DRAWING NO C-35109 RESTRICTED TO SCALE 4:1 SHEET 1 OF 1 REV S2
--	--	--	---	--	---