

4

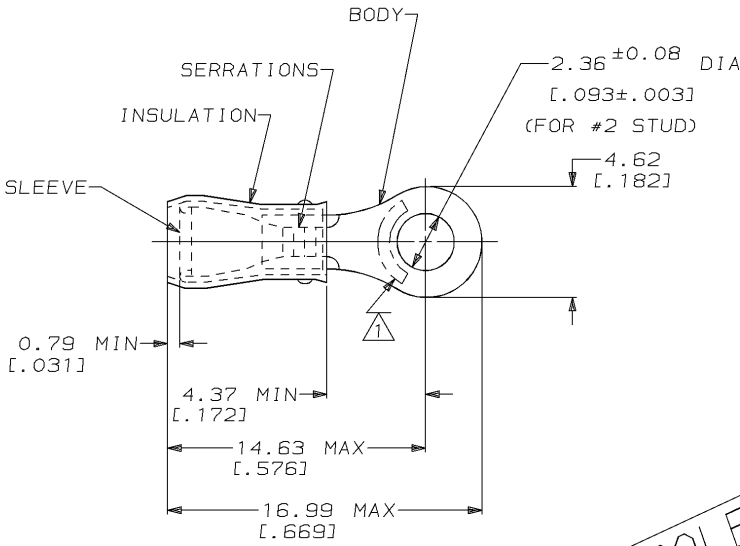
3

2

1

THIS DRAWING IS UNPUBLISHED. RELEASED FOR PUBLICATION  
 © COPYRIGHT 19 BY AMP INCORPORATED. ALL RIGHTS RESERVED.

LOC	DIST	REVISIONS			
P	LTR	DESCRIPTION	DATE	DWN	APVD
G	14	K	OBS / 01.20-0106-96	03DEC96	MLE TM



- 1. STAMP AMP 22-18\* APPROX AS SHOWN 22-16 TERMINALS ARE STAMPED 22-18 IN ACCORDANCE WITH MILITARY SPEC MIL-T-7928 COMMERCIAL WIRE RANGE IS 22-16
- 2. WIRE INSUL DIA, 2.03-3.17 [.080-.125]
- 3. TONGUE MATERIAL THK, 0.79<sup>+0.05</sup> [.031<sup>+0.002</sup>]
- 4. FOREIGN PRODUCTION ONLY
- 5. REPLACED BY 324158

OBSOLETE

-	-	-
-	-	-
5	LOOSE PIECE	320440
QTY	PACKAGE TYPE	PART NO

AMP INCORPORATED CUSTOMER SERVICE SYSTEM		MAX RECOMMENDED OPERATING TEMPERATURE: 105°C [221°F]	THIS DRAWING IS A CONTROLLED DOCUMENT FOR AMP INCORPORATED. IT IS SUBJECT TO CHANGE AND THE CONTROLLING ENGINEERING ORGANIZATION SHOULD BE CONTACTED FOR THE LATEST REVISION.		DWN M ELLIS 16JUN95	AMP Incorporated Harrisburg, PA 17105-3608
FOR ADDITIONAL PRODUCT INFORMATION OR COPIES OF DRAWINGS AND TECHNICAL DOCUMENTS	PRODUCT INFORMATION CENTER 1-800-522-6752	VOLTAGE RATING: 300 V MAX	DIMENSIONS: mm [in]	TOLERANCES UNLESS OTHERWISE SPECIFIED: 0 PLC ±- 1 PLC ±- 2 PLC ±0.20 [.008] 3 PLC ±- 4 PLC ±- ANGLES ±-	CHK C PRESNELL 16JUN95	
FOR APPLICATION TOOLING INFORMATION	TOOLING ASSISTANCE CENTER 1-800-722-1111	CIRCULAR MIL AREA: 0.26mm <sup>2</sup> -1.65mm <sup>2</sup> [509-3260]	MATERIAL BODY, SLV, COPPER PER ASTM-B-152 INSUL., PVC, COLOR, RED	FINISH BODY & SLV, TIN PLATE PER MIL-T-10727	APVD N BIRCH 16JUN95	PRODUCT SPEC
FOR ORDER ENTRY	1-800-526-5142				APPLICATION SPEC	WEIGHT
						SIZE A3
						CAGE CODE 00779
						DRAWING NO C-320440
						SCALE 4:1
						SHEET 1 OF 1
						REV K
						CUSTOMER DRAWING

AMP 1470-19 REV 09MAY94  
 03 DEC 1996 10:10:53 AMP10390 <UJ28A>DEPT1132-U.DWG1132-U.RBY-U.PID6-U.CUST