

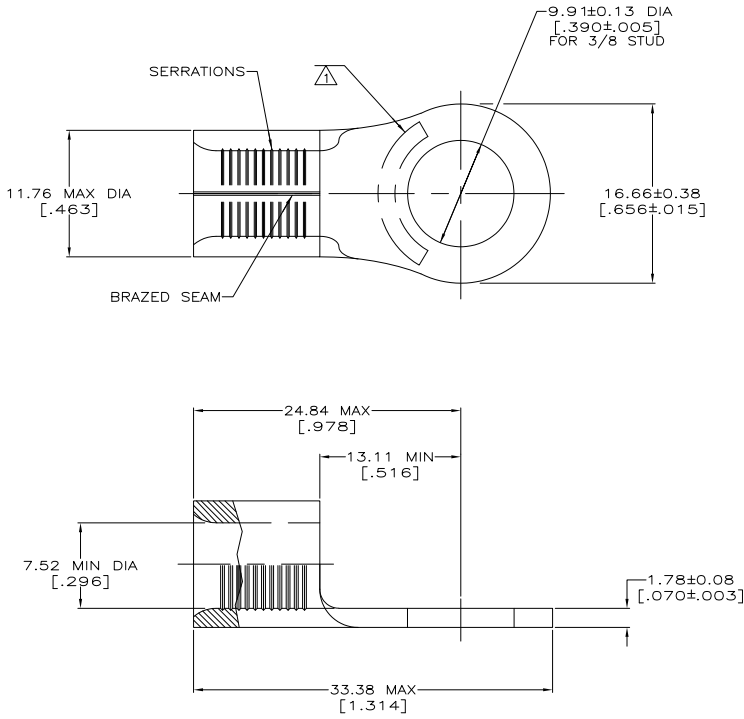
THE DRAWING IS UNPUBLISHED. RELEASED FOR PUBLICATION. ALL RIGHTS RESERVED.

LOC	REV	DESCRIPTION	DATE	BY	APP
G	14				
	P2	REVISED PER ECO-11-004917	11MAR11	RK	HMR

METRIC
DIMENSIONS LISTED IN mm [INCHES]

AMP WIRE RANGE	E13288 Listed
4 AWG SOLID OR STRANDED	4 AWG STRANDED
LR7189 Certified	MILITARY P/N AND CLASS
4 AWG SOLID OR STRANDED	NOT APPLICABLE

- △ STAMP AMP 4* APPROX AS SHOWN
- △ TIN PLATE 0.00254[.000100] MIN THK PER MIL-T-10727
- △ OBSOLETE PARTS: OBSOLETE CIS STREAMLINING PER D.RENAUD/D.SINISI



**AMP INCORPORATED
CUSTOMER SERVICE SYSTEMS**

MAX RECOMMENDED OPERATING TEMPERATURE:
170° C MAX

FOR ADDITIONAL PRODUCT INFORMATION OR COPIES OF DRAWINGS AND TECHNICAL DOCUMENTS	PRODUCT INFORMATION CENTER 1-800-522-6752
FOR APPLICATION TOOLING INFORMATION	TOOLING ASSISTANCE CENTER 1-800-722-1111
FOR ORDER ENTRY	1-800-526-5142

VOLTAGE RATING:
NOT APPLICABLE

WIRE CROSS SECTIONAL AREA RANGE:
16.8-26.7mm² [33,100-52,600] CIR MILS
SOLID OR STRANDED

THIS DRAWING IS A CONTROLLED DOCUMENT FOR AMP INCORPORATED. IT IS SUBJECT TO CHANGE AND THE CONTROLLING ENGINEERING ORGANIZATION

OBSOLETE	△	25	LOOSE PIECE, BAG	8-33471-5
OBSOLETE	△	50	LOOSE PIECE, BOX	8-33471-2
OBSOLETE	△	500	LOOSE PIECE, BOX	2-33471-3
OBSOLETE	△	500	ON TAPE, REEL	1-33471-2
OBSOLETE	CLEANED	-	LOOSE PIECE	1-33471-1
OBSOLETE	△	-	LOOSE PIECE	33471
	FINISH	QUANTITY	PACKAGING TYPE	PART NO
THIS DRAWING IS A CONTROLLED DOCUMENT.				
DIMENSIONS: MM(INCHES)		TO ENGRS UNLESS OTHERWISE SPECIFIED:	ON TA BRINKMAN 3-29-93 DA PATTERSON 3-29-93 DE MILLER 3-29-93	
0 P/C - 1 P/C - 2 P/C - 3 P/C - 4 P/C - 5 P/C - 6 P/C - 7 P/C - 8 P/C -		PRODUCT SPEC	TE TE Connectivity TERMINAL, RING TONGUE, SOLISTRAND™	
MATERIAL: COPPER PER ASTM B-152 ANNEALED		FINISH: SEE TABLE	WEIGHT: -	RESTRICTED TO: -
		SIZE: A2	CAGE CODE: 00779	DRAWING NO: 33471
		CUSTOMER DRAWING	SCALE: 4:1	SHEET: 1 of 1