

4

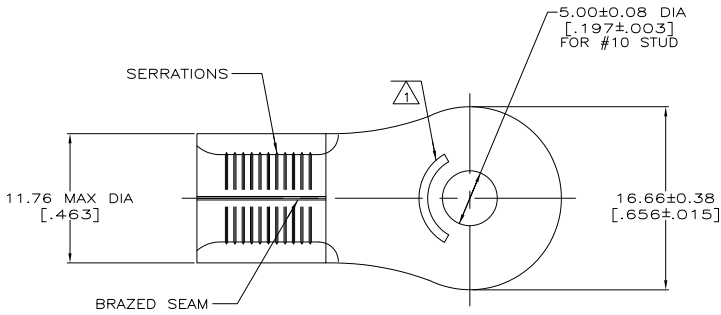
3

2

1

THIS DRAWING IS UNPUBLISHED. RELEASED FOR PUBLICATION. ALL RIGHTS RESERVED.

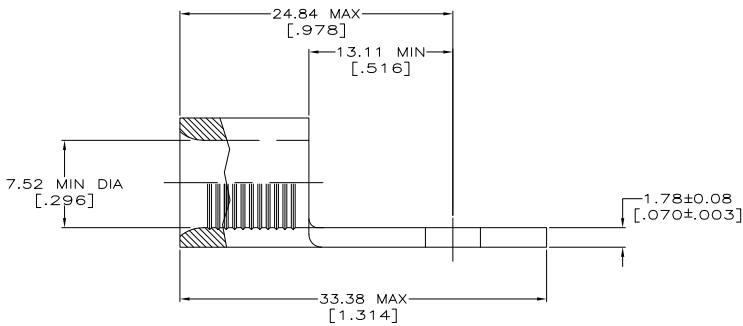
LOC	DIST	REVISIONS		
P	LTR	DESCRIPTION	DATE	BY
G	14			
	H2	REVISED PER ECO-11-004917	11MAR11	RK HMR



AMP
WIRE RANGE

4 AWG
SOLID OR STRANDED

- 1 STAMP AMP 4* APPROX AS SHOWN
- 2 UL LISTED E13288, 4 AWG STRANDED
- 3 CSA CERTIFIED LR7189, 4 AWG SOLID OR STRANDED
- 4 TIN PLATE 0.00254 [0.00100] MIN THK PER ASTM B545
- 5 TIN-LEAD (60-40) PLATE 0.00254 [0.00100] MIN THK PER SAE-AMS-P-81728
- PRELIMINARY - NOT FOR PRODUCTION



APPROVALS	FINISH	QTY	PACKAGE TYPE	PART NO.
2, 3	4	25	LOOSE PIECE, BOX	8-33468-3
---	4	25	LOOSE PIECE	33468-1
2, 3	4	100	LOOSE PIECE	33468

THIS DRAWING IS A CONTROLLED DOCUMENT.		DR TA BRINKMAN 3-29-93	TE Connectivity	
DIMENSIONS: INCHES		CR DA PATTERSON 3-29-93	TERMINAL, RING TONGUE, SOLISTRAND	
MATERIAL: ASTM B152		AP JC MECKLEY 3-29-93	SIZE: A2	CAGE CODE: 00779
FINISH: SEE TABLE		APPLICATION SPEC: ---	DRAWING NO: C=33468	RESTRICTED TO: ---
		WEIGHT: ---	CUSTOMER DRAWING	SCALE: 4:1 SHEET: 1 of 1 REV: H2

1471-9 (3/11)

33468

A