

4

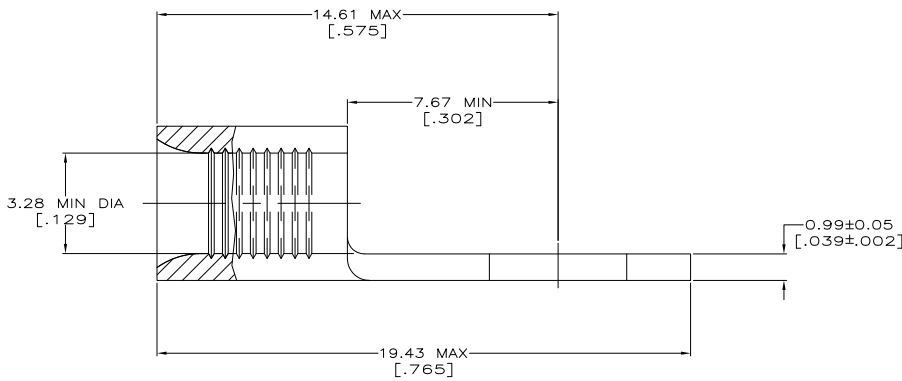
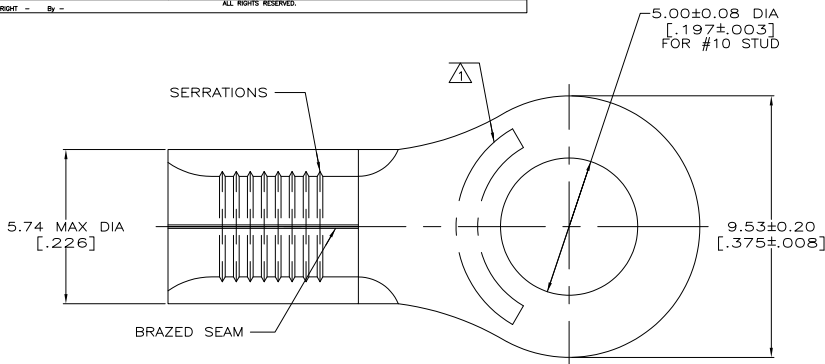
3

2

1

THIS DRAWING IS UNPUBLISHED. RELEASED FOR PUBLICATION. ALL RIGHTS RESERVED.

LOC	DIST	REVISIONS		DATE	BY	APP'D
G	14	P	LTR			
		G1		REVISED PER ECO-11-004587	11MAR11	RK HMR



<b>AMP</b> WIRE RANGE	E13288 Listed
12-10 AWG SOLID OR STRANDED	12-10 AWG STRANDED
LR7189 Certified	MILITARY P/N AND CLASS
12-10 AWG SOLID OR STRANDED	MS20659-105 CLASS 1 & 2 P/N 33457 CLASS 2 P/N 2-33457-2

STAMP AMP 12-10\* APPROX AS SHOWN

<b>AMP INCORPORATED CUSTOMER SERVICE SYSTEMS</b>		MAX RECOMMENDED OPERATING TEMPERATURE: 170° C MAX
FOR ADDITIONAL PRODUCT INFORMATION OR COPIES OF DRAWINGS AND TECHNICAL DOCUMENTS	PRODUCT INFORMATION CENTER 1-800-522-6752	VOLTAGE RATING: NOT APPLICABLE
FOR APPLICATION TOOLING INFORMATION	TOOLING ASSISTANCE CENTER 1-800-722-1111	WIRE CROSS SECTIONAL AREA RANGE: 2.62-6.64mm <sup>2</sup> [5,180-13,100] CIR MILS SOLID OR STRANDED
FOR ORDER ENTRY	1-800-526-5142	THIS DRAWING IS A CONTROLLED DOCUMENT FOR AMP INCORPORATED. IT IS SUBJECT TO CHANGE AND THE CONTROLLING ORGANIZATION SHOULD BE CONTACTED FOR THE LATEST REVISION.

25	LOOSE PIECE, BAG	8-33457-5
100	LOOSE PIECE, BOX	8-33457-1
2500	ON TAPE	2-33457-2
----	LOOSE PIECE	33457
QUANTITY	PACKAGING TYPE	PART NO

THIS DRAWING IS A CONTROLLED DOCUMENT.		DR: TA BRINKMAN 3-17-93	TE Connectivity
DIMENSIONS: MM [ INCHES ]		CHK: DA PATTERSON 3-17-93	
OTHER DIMENSIONS: OTHER DIMENSIONS:		APP: DE MILLER 3-17-93	NAME: TERMINAL, RING TONGUE, SOLISTRAND™
MATERIAL: COPPER PER ASTM B-18		FINISH: IN PLATE 0.0006±0.0005 MIN THE PER MIL-11-10727	RESTRICTED TO: —
APPLICATION SPEC: —		SIZE: A2	CAGE CODE: 00779
WEIGHT: —		DRAWING NO: C=33457	
CUSTOMER DRAWING		SCALE: 10:1	SHEET: 1 of 1
		REV: G1	

1471-9 (3/11)

33457

A