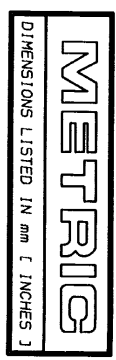
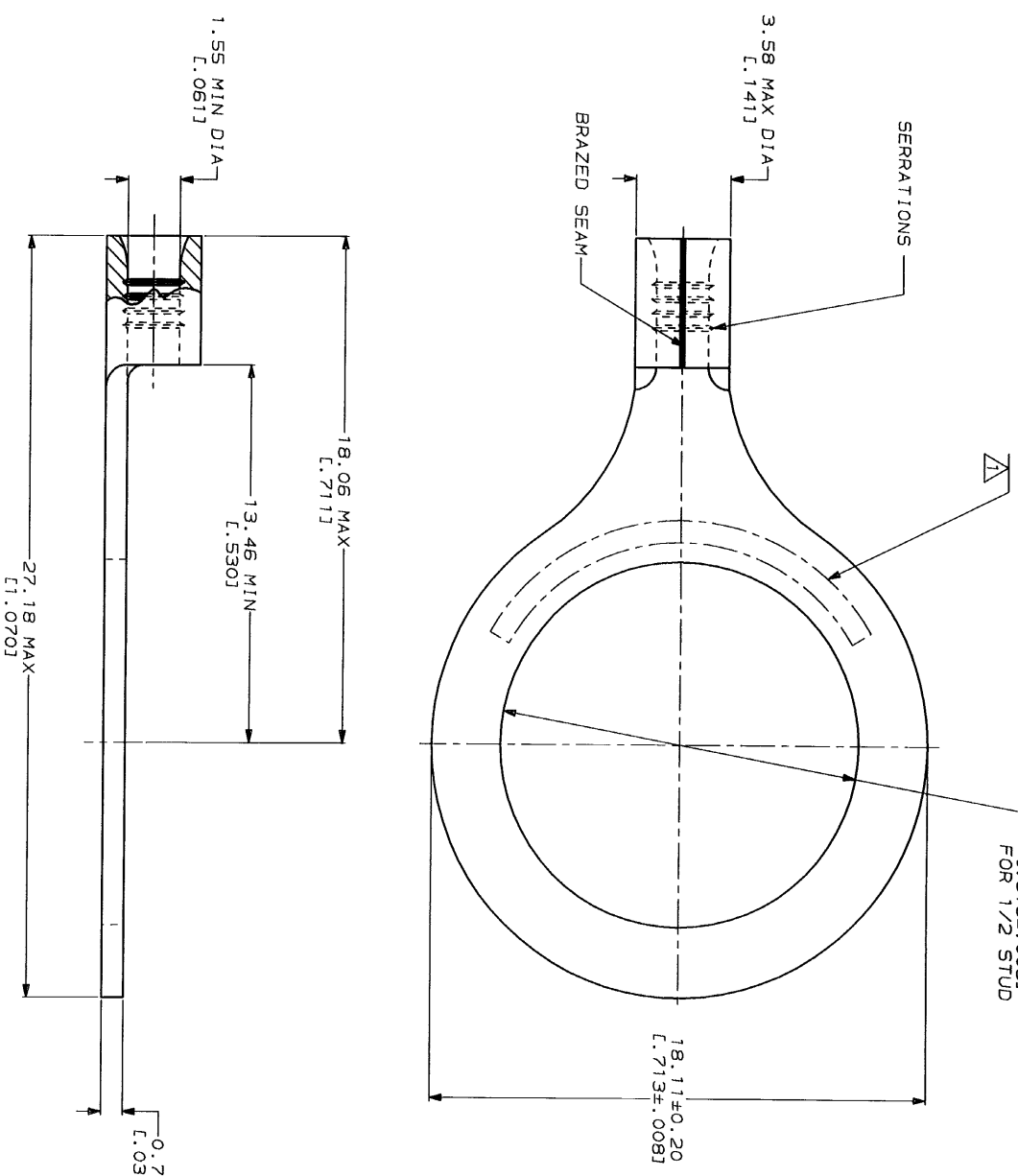


LOC	DIST	REV	DATE	APPRO
G	14			



<b>AMP</b> WIRE RANGE	<b>UL E13288</b>
22-16 AWG SOLID OR STRANDED	22-16 AWG SOLID OR STRANDED
<b>LR7189</b> Certified	MILITARY P/N AND CLASS
22-16 AWG SOLID OR STRANDED	NOT APPLICABLE

△ STAMP AMP 22-18\* APPROX AS SHOWN  
 22-16 TERMINALS ARE STAMPED 22-18 IN  
 ACCORDANCE WITH MILITARY SPECIFICATION  
 MIL-T-7928, COMMERCIAL WIRE RANGE IS 22-16



DO NOT SCALE PRINT.  
 UNLESS SPECIFIED OTHERWISE—  
 DIMENSIONS ARE IN MILLIMETERS  
 2 PLG DEC ± .1  
 3 PLG DEC ± .1  
 ANGLES

FINISH: TIN PLATE  
 0.00254 L.0001003 MIN  
 THK PER MIL-T-10727

OR 3-10-93  
 CHK 3-10-93  
 DA PATTERSON

APPD 3-10-93  
 DE MILLER

APPD 3-10-93  
 JL HECKLEY

DR 3-10-93  
 CHK 3-10-93  
 DA PATTERSON

APPD 3-10-93  
 DE MILLER

APPD 3-10-93  
 JL HECKLEY

APPD 3-10-93  
 JL HECKLEY

QUANTITY	NAME	PACKAGE TYPE	PART NO
100	LOOSE PIECE, BOX		8-329966-1
	LOOSE PIECE		329966

**AMP**  
 AMP Incorporated  
 Harrisburg, PA 17105-3608

TERMINAL, RING  
 TONGUE, SOLISTRAND™

SIZE	CAGE CODE	DRAWING NO
00779	00779	0-329966

**AMP INCORPORATED  
 CUSTOMER SERVICE SYSTEMS**

FOR ADDITIONAL  
 PRODUCT INFORMATION OR  
 COPIES OF DRAWINGS  
 AND TECHNICAL DOCUMENTS

FOR APPLICATION  
 TOOLING INFORMATION  
 FOR ORDER ENTRY

PRODUCT INFORMATION CENTER  
 1-800-522-6752

TOOLING ASSISTANCE CENTER  
 1-800-722-1111

MAX RECOMMENDED OPERATING  
 TEMPERATURE:  
 170°C MAX

VOLTAGE RATINGS:  
 NOT APPLICABLE

WIRE CROSS SECTIONAL AREA RANGE:  
 0.26-1.65mm<sup>2</sup> (S09-3, 280) CIR MILS  
 SOLID OR STRANDED

AMP TOOLING IS A REGISTERED TRADEMARK OF AMP INCORPORATED. ALL RIGHTS RESERVED.  
 AMP IS THE LEADING MANUFACTURER OF TERMINALS AND CONNECTORS FOR THE ELECTRONIC INDUSTRY.

SCALE: 8:1

CUSTOMER DRAWING