

4

3

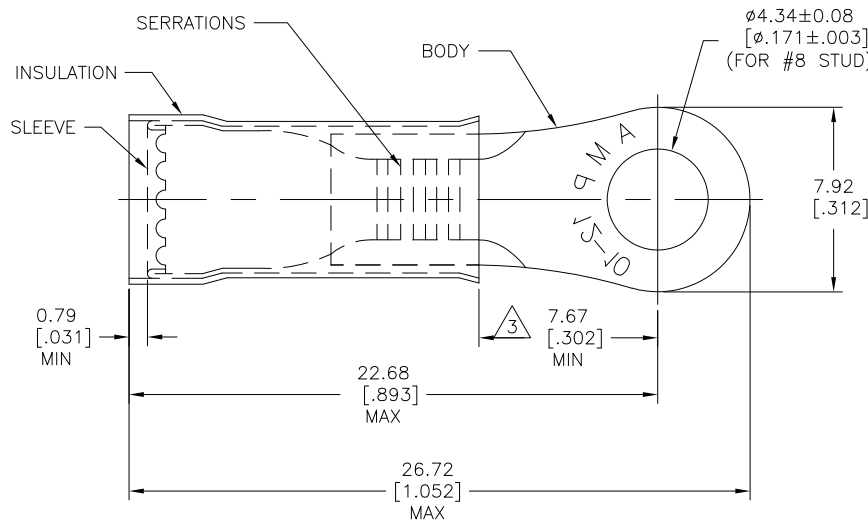
2

1

THIS DRAWING IS UNPUBLISHED. RELEASED FOR PUBLICATION
 © COPYRIGHT - BY TYCO ELECTRONICS CORPORATION. ALL INTERNATIONAL RIGHTS RESERVED.

LOC	DIST	REVISIONS			
P	LTR	DESCRIPTION	DATE	DWN	APVD
G	14				
	G1	REVISED PER ECR-09-017960	27AUG09	HMR	JR

- 1 FOR 3.81 [.150] TO 5.84 [.230] WIRE INSULATION DIA
- 2 TONGUE MATERIAL THK: 1.02±0.05 [.040±.002]
- 3 APPLIES FROM THE METAL EDGE OF THE BARREL TO THE CENTER OF THE STUD



QTY	DESCRIPTION	MATERIAL & FINISH	PART NO
100	LOOSE PC, BOX	BODY: COPPER (ASTM-B152) TIN PL (ASTM-B545)	8-324915-1
OBSOLETE 4000	324915 ON TAPE	SLEEVE: COPPER (ASTM-B152)	1-324915-1
1	WIRE TERMINAL	INSULATION: NYLON COLOR: YELLOW	324915

THIS DRAWING IS A CONTROLLED DOCUMENT.		DWN RAGHAVENDRA 27AUG09	Tyco Electronics Corporation Harrisburg, PA 17105-3608	
DIMENSIONS: mm [INCHES]		CHK JEFF RUTH 27AUG09	NAME TOM MICHIELUTTI	
TOLERANCES UNLESS OTHERWISE SPECIFIED:		APVD TOM MICHIELUTTI 27AUG09	PRODUCT SPEC	
0 PLC ± -		APPLICATION SPEC		
1 PLC ± -		WEIGHT		
2 PLC ± -		SIZE A3		
3 PLC ± 0.20 [.008]		CAGE CODE C-324915		
4 PLC ± - ± 5°		DRAWING NO		
MATERIAL SEE TABLE	FINISH SEE TABLE	RESTRICTED TO		REV G1
		CUSTOMER DRAWING		SCALE 6:1 SHEET 1 OF 1