

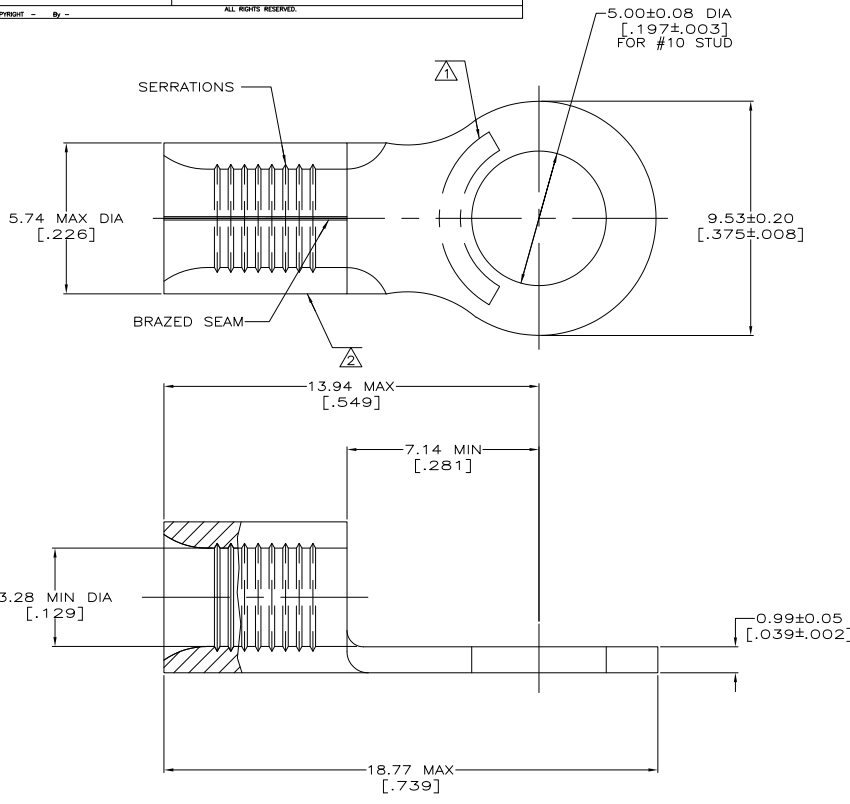
THE DRAWING IS UNPUBLISHED. RELEASED FOR PUBLICATION. ALL RIGHTS RESERVED.

LOC	DATE	REVISIONS	DATE	BY	APP
G	14	J1	REVISED PER ECO-11-004820	11MAR11	RK HMR

METRIC
DIMENSIONS LISTED IN mm [INCHES]

AMP WIRE RANGE	E13288 Listed
12-10 AWG SOLID OR STRANDED	NOT APPLICABLE
LR7189 Certified	MILITARY P/N AND CLASS
NOT APPLICABLE	NOT APPLICABLE

- △ STAMP AMP 12-10 APPROX AS SHOWN
- △ WIRE BARREL COLOR CODED ORANGE TO DENOTE NICKEL MATERIAL



AMP INCORPORATED CUSTOMER SERVICE SYSTEMS		MAX RECOMMENDED OPERATING TEMPERATURE: 649° C MAX
FOR ADDITIONAL PRODUCT INFORMATION OR COPIES OF DRAWINGS AND TECHNICAL DOCUMENTS	PRODUCT INFORMATION CENTER 1-800-522-6752	VOLTAGE RATING: NOT APPLICABLE
FOR APPLICATION TOOLING INFORMATION	TOOLING ASSISTANCE CENTER 1-800-722-1111	WIRE CROSS SECTIONAL AREA RANGE: 2.62-6.64mm ² [5,180-13,100] CIR MILS SOLID OR STRANDED
FOR ORDER ENTRY	1-800-526-5142	THIS DRAWING IS A CONTROLLED DOCUMENT FOR AMP INCORPORATED. IT IS SUBJECT TO CHANGE AND THE CONTROLLING ENGINEERING ORGANIZATION SHOULD BE CONTACTED FOR THE LATEST REVISION.

50	LOOSE PIECE, BOX	8-323680-2
2500	ON TAPE	2-323680-5
---	LOOSE PIECE	323680
QUANTITY	PACKAGING TYPE	PART NO

THIS DRAWING IS A CONTROLLED DOCUMENT.		BY TA BRINKMAN DATE 16-93	TE Connectivity
DIMENSIONS: TO DIMENSIONS UNLESS OTHERWISE SPECIFIED:		BY DA PATTERSON DATE 16-93	TE Connectivity
MATERIAL: NICKEL PER ASTM B-162 ANNEALED		BY DE MILLER DATE 16-93	TE Connectivity
FINISH: -		PRODUCT SPEC: -	TE Connectivity
WEIGHT: -		APPLICATION SPEC: -	TE Connectivity
CUSTOMER DRAWING		SIZE: A2	TE Connectivity
SCALE: 10:1		CAGE CODE: 00779	TE Connectivity
SHEET: 1 of 1		DRAWING NO: 323680	TE Connectivity
REV: J1		RESTRICTED TO: -	TE Connectivity

323680-5 (3/11)

323680

A