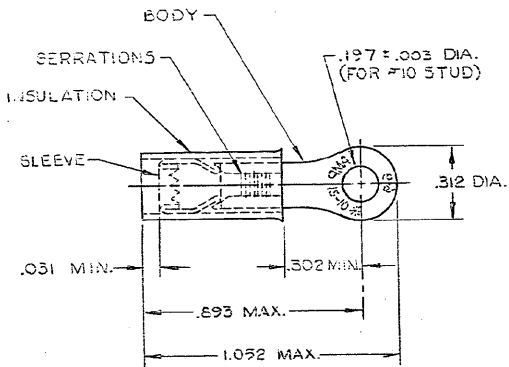


DRAWING MADE IN THIRD ANGLE PROJECTION

THIS DRAWING IS UNPUBLISHED. RELEASED FOR PUBLICATION  
 © COPYRIGHT

REVISIONS						
P	F	ZONE	LTR	DESCRIPTION	DATE	APPROVED
		G1		REVISED PER ECO-11-005294	12APR11	HMR



- 1 WIRE INSULATION DIA. = .150 - .230
- 2 TONGUE MATERIAL THK = .040 ± .002
- △ BODY FINISH = TIN PLATE (MIL-T-10727).000100 MIN THK.

~~OBSOLETE~~

QUANTITY	DESCRIPTION	PART NO
50	LOOSE PC, BOX	8-324918-2
<del>500</del>	<del>ON TAPE, LS BOX</del>	<del>8-324918-1</del>
2500	ON TAPE, REEL	1-324918-0
—	LOOSE PIECE	324918

UNLESS OTHERWISE SPECIFIED DIMENSIONS ARE IN INCHES. TOLERANCES ON: DECIMALS ± .005 ANGLES ± .005		CONTRACT NO DR UTA / RFD 10-3-85		TE Connectivity <b>TERMINAL,</b> P.I.D.G., RING TONGUE WIRE SIZE: 12-10	
MATERIAL INSULATION: WAX- YELLOW BODY / SLEEVE: COPPER (QQ-C-976)		CHK <i>[Signature]</i> 2-13-86 APPD <i>[Signature]</i> 2-13-86 DSGN APPD OTHER APPD			
FINISH BODY: △	SIZE <b>B</b>	PSCM NO <b>00779</b>	DRAWING NO <b>324918</b>	SCALE NTS	SHEET 1 OF 1

**CUSTOMER DRAWING**