

4

3

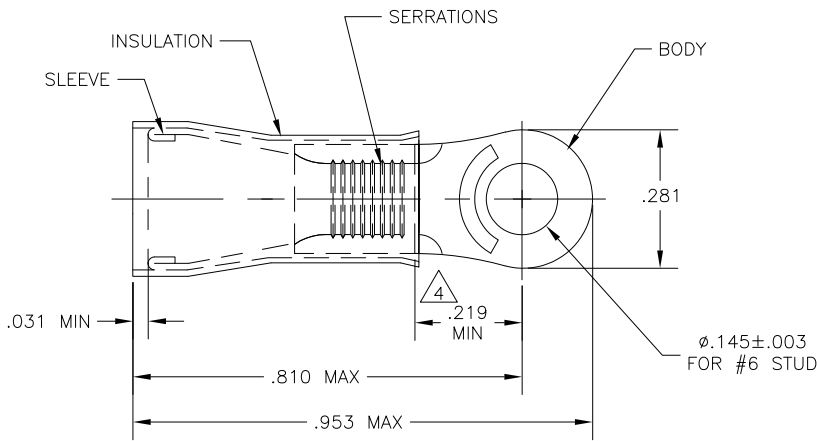
2

1

THIS DRAWING IS UNPUBLISHED. RELEASED FOR PUBLICATION
 © COPYRIGHT - By - ALL RIGHTS RESERVED.

LOC	DIST	REVISIONS			
P	LTR	DESCRIPTION	DATE	DWN	APVD
G	02	E2	REVISED PER ECO-11-004917	11MAR11	RK HMR

AMP WIRE RANGE	Listed FILE E13288	LR7189 Certified
12-10 AWG SOLID OR STRANDED	12-10 AWG SOLID OR STRANDED	12-10 AWG SOLID OR STRANDED



- 1 WIRE INSUL DIA .150-.230
- 2 MATERIAL: BODY - CU PER ASTM B152
SLEEVE - CU PER ASTM B152
INSULATION - NYLON (MIL-M-20693),
TYPE 1
- 3 FINISH: BODY & SLEEVE: TIN PER ASTM B-545
INSULATION - COLOR: YELLOW
- 4 APPLIES FROM THE EDGE OF METAL BARREL
TO THE CENTER OF THE STUD HOLE.

50	LOOSE PIECE, BOX	8-320634-2
2000	ON TAPE	2-320634-1
500	LOOSE PIECE	320634
QTY	PACKAGE TYPE	PART NO

MAX RECOMMENDED OPERATING TEMPERATURE: 105°C [221°F] VOLTAGE RATING: 300 V MAX CIRCULAR MIL AREA: 2.62-6.64mm² [5,180-13,100] SOLID OR STRANDED	THIS DRAWING IS A CONTROLLED DOCUMENT.		DWN jr ruth 12JUN09	TE Connectivity NAME TOM MICHIELUTTI PRODUCT SPEC UL 486A APPLICATION SPEC		RESTRICTED TO
	DIMENSIONS: INCHES	TOLERANCES UNLESS OTHERWISE SPECIFIED:	CHK TOM MICHIELUTTI 12JUN09			
	 0 PLC ± - 1 PLC ± - 2 PLC ± - 3 PLC ± .008 4 PLC ± - ± 5° ANGLES		SIZE A3	CAGE CODE 00779	DRAWING NO C-320634	
MATERIAL 2	FINISH 3		WEIGHT -	CUSTOMER DRAWING	SCALE 5:1	SHEET 1 OF 1
				REV E2		