

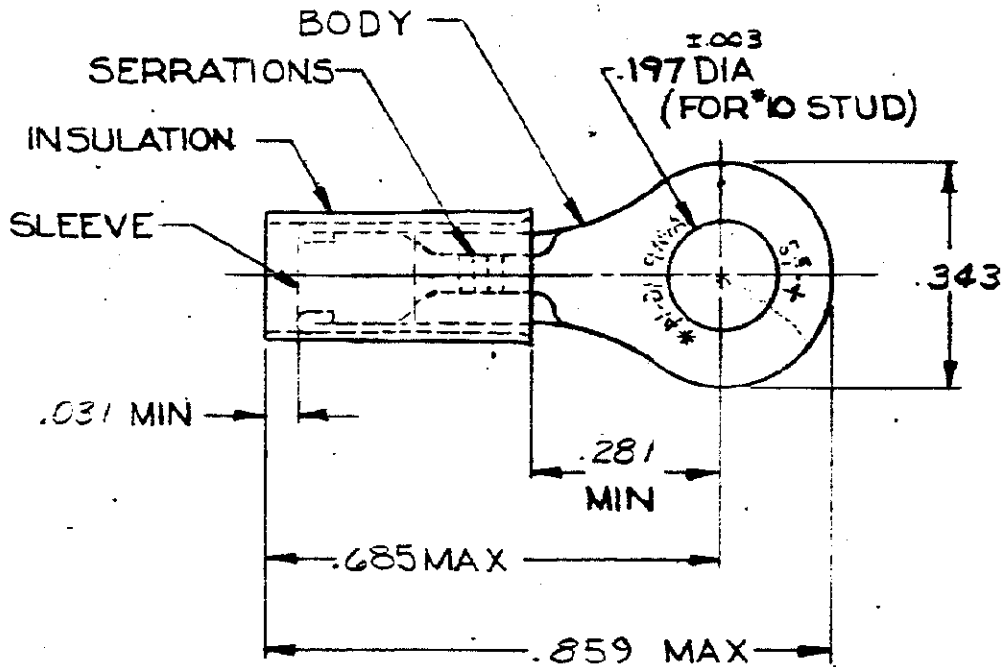
DRAWING MADE IN AMERICAN PROJECTION

DATE

REVISIONS

LTR	DESCRIPTION	DATE	APPROVED
F1	REVISED PER ECO-11-005294	06APR11	HMR

320574



FOR .105 TO .150 WIRE INSULATION DIA.
TONGUE MATERIAL THK. = .031 ±.002

NOTE:

1. STAMPING MAY BE ON TOP OR BOTTOM.

QTY	DESCRIPTION	PART NO.	MATERIAL & FINISH
100	LOOSE PC. BOX	8-320574-1	
1	320574 ON TAPE	2-320574-2	BODY & SLEEVE: COPPER (QQ-C-576) TIN PL. (MIL-T-10727)
1	WIRE TERMINAL	320574	INSULATION: BLUE NYLON (MIL-M-20693) TYPE I

UNLESS OTHERWISE SPECIFIED DIMENSIONS ARE IN INCHES TOLERANCES ON: DECIMALS ±.008 ANGLES ± 5°	CONTRACT NO.	
	DR.	<i>JM Engman</i> 3-27-69
	CHK	<i>FW</i> 3/27-69
	APPD	<i>Swabel</i> 4-4-69
	REL	<i>JM Engman</i> 4/15/69
	OSGN APPD	<i>J</i>
MATERIAL	SEE TABLE	
OTHER APPD		

TE TE Connectivity		
NAME: WIRE TERMINAL P.I.D.G-RING TONGUE WIRE SIZE: 16-14		
SIZE	CODE IDENT NO.	NUMBER
A	00779	320574
SCALE	SHEET 1 OF 1	

CUSTOMER DRAWING