

4

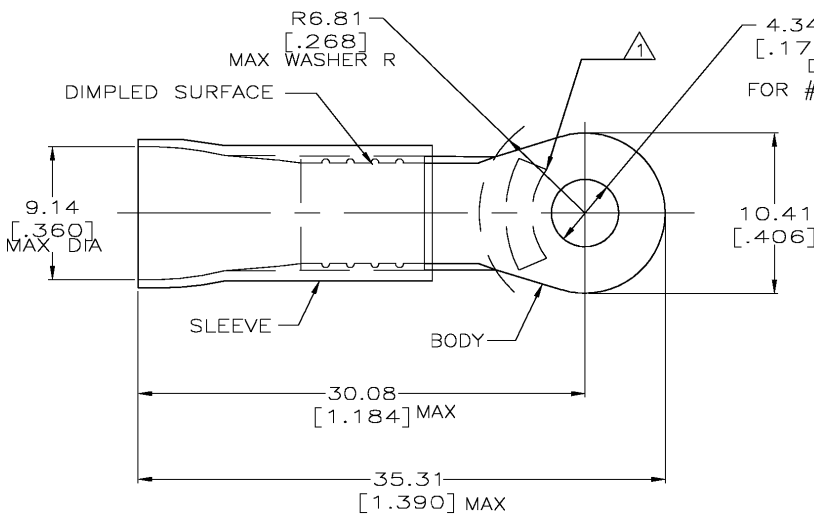
3

2

1

THIS DRAWING IS UNPUBLISHED. RELEASED FOR PUBLICATION
 © COPYRIGHT - BY TYCO ELECTRONICS CORPORATION. ALL RIGHTS RESERVED.

LOC	DIST	REVISIONS			
P	LTR	DESCRIPTION	DATE	DWN	APVD
G	14	B	REL PER OG3A-0249-03	23APR03	JR TM



AMP
WIRE RANGE

8 AWG
STRANDED

- 1 STAMP AMP 8* LOCATE APPROX AS SHOWN
- 2 TONGUE MATERIAL THK 1.22 ± 0.08 [.048 ± .003]
- 3 TAPE ITEMS ARE ON 30.48 [1.200] CENTERS
- 4 TIN PLATE PER ASTM B545
- 5 COPPER PER ASTM B152
SLEEVE - PVC, RED

500	ON TAPE	696049-2
100	LOOSE PIECE	696049-1
QTY	PACKAGE TYPE	PART NO.

AMP INCORPORATED CUSTOMER SERVICE SYSTEMS		MAX RECOMMENDED OPERATING TEMPERATURE: 105°C [221°F]	THIS DRAWING IS A CONTROLLED DOCUMENT.		DWN JR RUTH 31MAY00	tyco Electronics	Tyco Electronics Corporation Harrisburg, PA 17105				
FOR ADDITIONAL PRODUCT INFORMATION OR COPIES OF DRAWINGS AND TECHNICAL DOCUMENTS	PRODUCT INFORMATION CENTER 1-800-522-6752	VOLTAGE RATING: 600V MAX	DIMENSIONS: INCHES	TOLERANCES UNLESS OTHERWISE SPECIFIED:	CHK M FEHER 31MAY00		NAME	TERMINAL, RING TONGUE, PLASTI-GRIP, WIRE SIZE: 8 AWG			
FOR APPLICATION	TOOLING ASSISTANCE CENTER 1-800-722-1111	CIRCULAR MIL AREA: 6.64-10.54mm ² [13,100-20,800] STRANDED		0 PLC ± - 1 PLC ± - 2 PLC ± 0.20[.008] 3 PLC ± - 4 PLC ± - ANGLES ± -	APVD T MICHELUTTI 31MAY00	PRODUCT SPEC	SIZE	CAGE CODE	DRAWING NO	RESTRICTED TO	
TOOLING INFORMATION	1-800-722-1111		MATERIAL COPPER 5	FINISH TIN PLATE 4	APPLICATION SPEC	WEIGHT	A3	00779	696049		
FOR ORDER ENTRY	1-800-526-5142	THIS DRAWING IS A CONTROLLED DOCUMENT FOR AMP INCORPORATED. IT IS SUBJECT TO CHANGE AND THE CONTROLLING ENGINEERING ORGANIZATION SHOULD BE CONTACTED FOR THE LATEST REVISION.			CUSTOMER DRAWING		SCALE	4:1	SHEET	1 OF 1	REV B

AMP 1470-19 REV 31MAR2000

H:\dmtecm0d\