

4

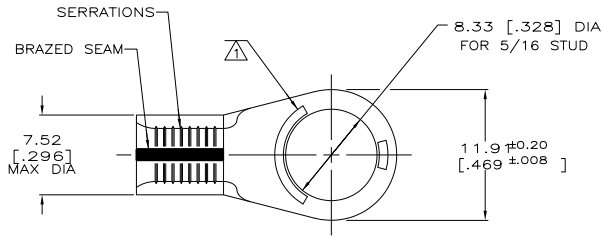
3

2

1

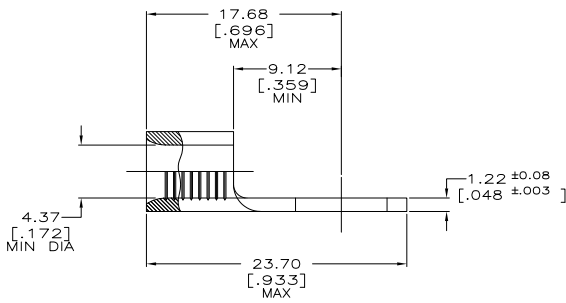
THIS DRAWING IS UNPUBLISHED. RELEASED FOR PUBLICATION
 © COPYRIGHT BY TYCO ELECTRONICS CORPORATION. ALL INTERNATIONAL RIGHTS RESERVED.

LOC	DIST	REVISIONS		
P	LTR	DESCRIPTION	DATE	BY
G	14	B1	REV PER ECR 09-027810	JR
			29DEC09	TM



AMP WIRE RANGE	Listed FILE E13288	LR7189 Certified
8 AWG SOLID OR STRANDED	8 AWG STRANDED	8 AWG SOLID OR STRANDED

- 1 STAMP AMP 8* 14 APPROX AS SHOWN
- 2 PARTS ARE MOUNTED ON 30.48[1.200] CENTERS
- 3 COPPER PER ASTM B-152, ANNEALED
- 4 TIN PLATE 0.00254 [.000100] MIN THK PER ASTM B-545



1000	ON TAPE, REEL	55991-2
-	LOOSE PIECE	55991-1
QTY	PACKAGE TYPE	PART NO.

MAX RECOMMENDED OPERATING TEMPERATURE: 170°C MAX	VOLTAGE RATING: N/A	CIRCULAR MIL AREA: 8.64-10.5mm ² [13,100-20,800] SOLID OR STRANDED	THIS DRAWING IS A CONTROLLED DOCUMENT.		DR. SCHURM 18AUG94 CK. PATTERSON 23AUG94 DIA. PATTERSON 23AUG94 J.L. MECKLEY 23AUG94 NAME APPLICATION SPEC WEIGHT	Tyco Electronics Corporation Harrisburg, PA 17105-3608 TERMINAL, RING TONGUE, SOLISTRAND	SIZE CASE CODE DRAWING NO A2 00779 C-55991	RESTRICTED TO
MATERIAL: - 3			DIMENSIONS: MM [INCHES]		PLACEMENT DIMENSIONS: OTHER DIMENSIONS:	MATERIAL: - 3 FINISH: - 4	CUSTOMER DRAWING	SCALE: 4:1 SHEET: 1 of 1 REV: B1

1471-9 (1/08)

55991

A