

4

3

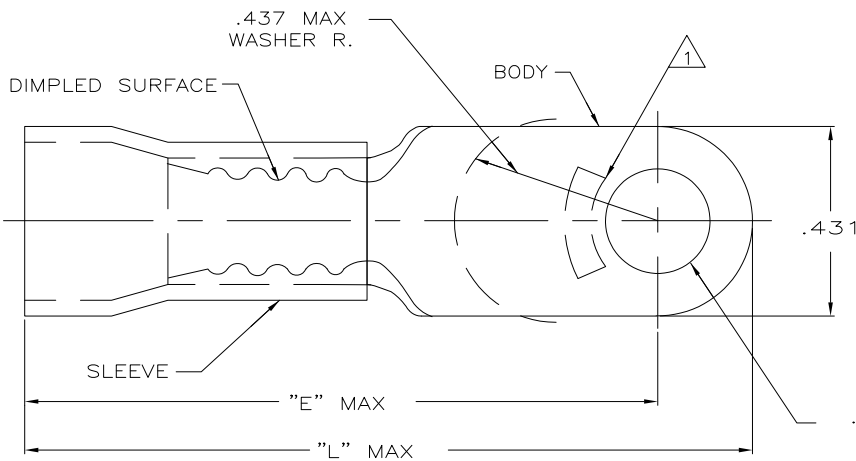
2

1

THIS DRAWING IS UNPUBLISHED. RELEASED FOR PUBLICATION  
 © COPYRIGHT - BY TYCO ELECTRONICS CORPORATION. ALL INTERNATIONAL RIGHTS RESERVED.

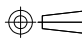
LOC	DIST	REVISIONS				
P	LTR	DESCRIPTION	DATE	DWN	APVD	
G	14	H1	REVISED PER ECO-11-002228	11FEB11	HMR	DR

<b>AMP</b> WIRE RANGE	 FILE E13288	 LR7189 Certified
8 AWG STRANDED	8 AWG STRANDED	8 AWG STRANDED



- 1 STAMP AMP 8\* LOCATE APPROX AS SHOWN
- 2 TONGUE MATERIAL THK .040±.003
- 3 TAPE ITEMS ARE ON 1.200 CENTERS
- 4 COPPER PER ASTM B-152, PVC, COLOR-RED
- 5 TIN PLATE PER ASTM B-545
- 6 PRELIMINARY - NOT FOR PREPRODUCTION

.330	1.394	1.587	500	55621-7 ON TAPE	55621-8
			100	LOOSE PIECE	55621-7
.360	1.354	1.561	500	55621-1 ON TAPE	55621-2
			100	LOOSE PIECE	55621-1
WIRE INSULATION OD MAX	"E"	"L"	QTY	PACKAGE TYPE	PART NO

MAX RECOMMENDED OPERATING TEMPERATURE: 105°C	THIS DRAWING IS A CONTROLLED DOCUMENT.		DWN S.S. GOULDEN 10-12-93	Tyco Electronics Corporation Harrisburg, PA 17105-3608	
	DIMENSIONS: INCHES	TOLERANCES UNLESS OTHERWISE SPECIFIED:	CHK R. HERSEY 10-12-93	NAME M. ELLIS	
VOLTAGE RATING: 600 V MAX		0 PLC ± -	PRODUCT SPEC NOT AVAILABLE	TERMINAL, RING TONGUE, PLASTI-GRIP, WIRE SIZE: 8 AWG	
CIRCULAR MIL AREA: 6.64-10.54mm² [13,100-20,800] STRANDED		1 PLC ± -	APPLICATION SPEC 114-2161	SIZE A3	CAGE CODE 00779
	MATERIAL 4	2 PLC ± 0.20[.008]	WEIGHT -	RESTRICTED TO -	
		3 PLC ± -	CUSTOMER DRAWING	SCALE 4:1	SHEET 1 OF 1
		4 PLC ± -		REV H1	
		5 FINISH 5			