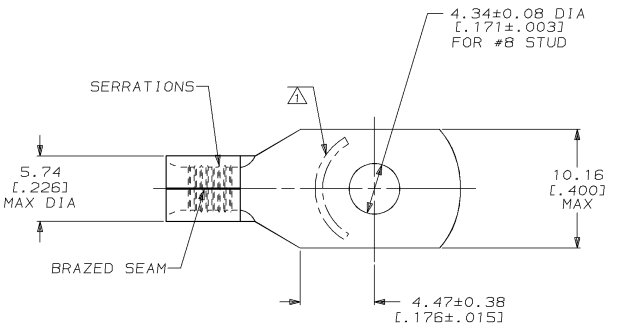


THIS DRAWING IS UNPUBLISHED. RELEASED FOR PUBLICATION .19
 © COPYRIGHT 19 BY AMP INCORPORATED. ALL INTERNATIONAL RIGHTS RESERVED.

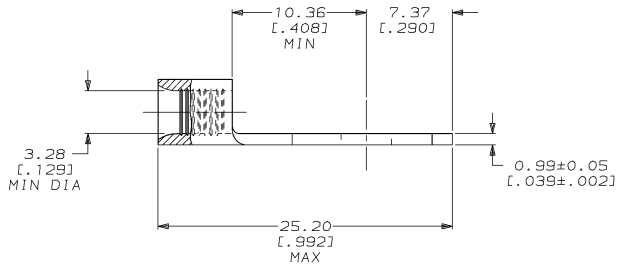
LOC	DIST	P	F	ZONE	LTR	DESCRIPTION	DATE	APPR
G	14				C	REVISED PER 0720-0121-94	21JUL94	g ^o DAP

METRIC
 DIMENSIONS LISTED IN mm [INCHES]



AMP WIRE RANGE	UL E13288 Listed
12-10 AWG SOLID OR STRANDED	12-10 AWG STRANDED
UL LR7189 Certified	MILITARY P/N AND CLASS
12-10 AWG SOLID OR STRANDED	NOT APPLICABLE

△ STAMP AMP 12-10* APPROX AS SHOWN



AMP INCORPORATED
CUSTOMER SERVICE SYSTEMS

MAX RECOMMENDED OPERATING TEMPERATURE:
 170°C MAX

FOR ADDITIONAL PRODUCT INFORMATION OR COPIES OF DRAWINGS AND TECHNICAL DOCUMENTS

PRODUCT INFORMATION CENTER
 1-800-522-6752

VOLTAGE RATING:
 NOT APPLICABLE

FOR APPLICATION TOOLING INFORMATION

TOOLING ASSISTANCE CENTER
 1-800-722-1111

WIRE CROSS SECTIONAL AREA RANGE:
 2.62-5.64mm² [5,180-13,100] CIR MILS
 SOLID OR STRANDED

FOR ORDER ENTRY

1-800-526-5142

THIS DRAWING IS A CONTROLLED DOCUMENT FOR AMP INCORPORATED. IT IS SUBJECT TO CHANGE AND THE CONTROLLING ENGINEERING ORGANIZATION SHOULD BE CONTACTED FOR THE LATEST REVISION.

DO NOT SCALE PRINT.
 UNLESS SPECIFIED DIMENSIONS IN mm [INCHES] TOLERANCES ON:
 2 PLC DEC ± 0.13(.005)
 3 PLC DEC ±
 ANGLES ±

MATERIAL
 COPPER PER ASTM B-152 ANNEALED

FINISH
 TIN PLATE 0.00254(.000100) MIN THK PER MIL-T-10727

DR 6-17-93
 TA BRINKMAN

CHK 6-17-93
 DA PATTERSON

APPD 6-17-93
 DE MILLER

APPD 6-17-93
 JL MECKLEY

APPLICATION SPEC
 -

WEIGHT 2.74 GRAMS

AMP AMP Incorporated
 Harrisburg, PA 17105-3608

NAME
TERMINAL, RECTANGULAR TONGUE, SOLISTRAND™

SIZE CAGE CODE DRAWING NO
 00779 C-55782

SCALE 4:1 SHEET 1 OF 1

21-JUL-94 15:40:08 amp26463 /files/dept1123/dwg1123/u.solistrand/u.inline

CUSTOMER DRAWING

55782

A

D

C

B

1

2

3

4