

4

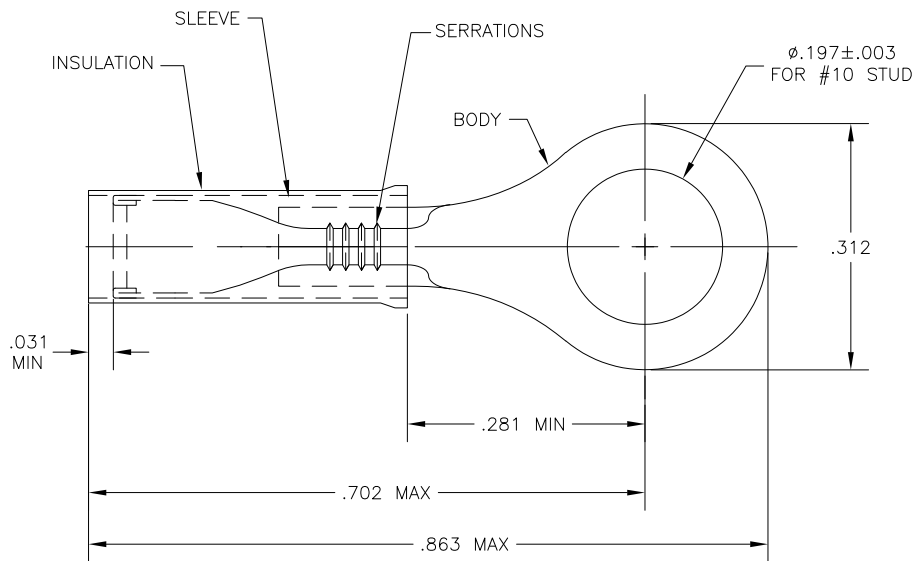
3

2

1

THIS DRAWING IS UNPUBLISHED. RELEASED FOR PUBLICATION  
 © COPYRIGHT - BY TYCO ELECTRONICS CORPORATION. ALL RIGHTS RESERVED.

LOC	DIST	REVISIONS			
P	LTR	DESCRIPTION	DATE	DWN	APVD
G	14				
		C1	REV PER ECR 09-026074	30NOV09	JR TM



- 1 TONGUE MATERIAL THK IS  $.027 \pm .001$
- 2 FOR  $.050$  TO  $.105$  WIRE INS. DIA.
- 3 MUST BE CRIMPED WITH 22-18 OR 22-16 PIDG (RED) TOOL.

4 MEETS MS25036-147, CLASS 1 & 2

5 MEETS MS25036-147, CLASS 2

2500	DN TAPE, REEL	5	54312-2	BODY: COPPER ASTM B152 TIN PL PER ASTM B545 SLEEVE: COPPER ASTM B152 TIN PL PER ASTM B545 INSULATION: NYLON, COLOR: YELLOW
1000	LOOSE PIECE	4	54312-1	
QTY	PACKAGE TYPE	PART NO		MATERIAL & FINISH

DIMENSIONS:		TOLERANCES UNLESS OTHERWISE SPECIFIED:		DWN		27JAN04		Tyco Electronics		Tyco Electronics Corporation	
INCHES		0 PLC	± -	JR RUTH		27JAN04		Harrisburg, Pa 17105-3608		NAME	
		1 PLC	± -	T MICHELUTTI		27JAN04		PRODUCT SPEC		TERMINAL, NYLON PIDG, RING TONGUE; WIRE SIZE 26-24	
		2 PLC	± -	T MICHELUTTI		27JAN04		APPLICATION SPEC		RESTRICTED TO	
		3 PLC	± .008					SIZE		CAGE CODE	
		4 PLC	± -					DRAWING NO		DRAWING NO	
		ANGLES	± 1°					WEIGHT		RESTRICTED TO	
MATERIAL		FINISH		SEE TABLE		SEE TABLE		A3		00779	
SEE TABLE		SEE TABLE		SEE TABLE		SEE TABLE		C-54312		RESTRICTED TO	
				CUSTOMER DRAWING		SCALE		8:1		SHEET 1 OF 1	
										REV C1	

AMP 1470-19 REV 31MAR2000