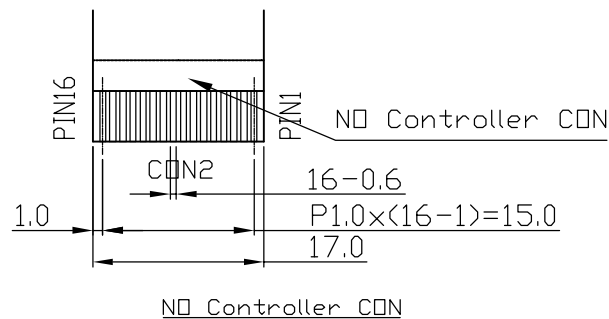


CON3	
No.	Key Name
1	KI0
2	KI1
3	KI2
4	KI3
5	KI4
6	KI5
7	KI6
8	KI7
9	KD0
10	KD1
11	KD2
12	KD3
13	KD4
14	KD5
15	KD6
16	KD7

CON1/CON4	
No.	Pin Name
1	VSS
2	VDD
3	VOUT
4	/RD
5	/WR
6	RS
7	DB0
8	DB1
9	DB2
10	DB3
11	DB4
12	DB5
13	DB6
14	DB7
15	/CS
16	/REST
17	VOL
18	VDD
19	LEDA
20	LEDK

CON2	
No.	Pin Name
1	FLM
2	M
3	CL1
4	CL2
5	/D-OFF
6	DB0
7	DB1
8	DB2
9	DB3
10	VDD
11	VSS
12	VOUT
13	VSS
14	VOL
15	BLA
16	BLK

- Note:
- *1. LCD Display Type : STN-Blue, Negative, Transmissive
 - *2. Viewing Direction : 6H
 - *3. Duty : 1/240; Bias : 1/16
 - *4. Operating Voltage : 3.3V , VOP = 21.8V
 - *5. Backlight Type : White LED
 - *6. Operating Temperature : -20°C~70°C
 - *7. Storage Temperature : -30°C~80°C
 - *8. Controller IC : RA8806



TS DISPLAY

Dwg Title **TSM320240I Outline Dwg**

Dwg No. 0911060926 Date 2009-11-06

Scale 1/1 Unit mm Tol. ±0.5

Drawn Andyi Checked Approved