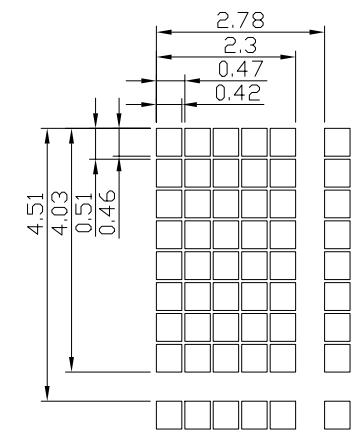
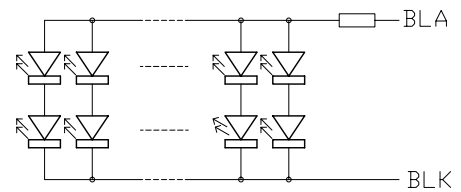


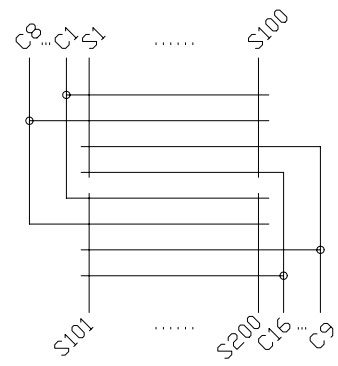
Terminal		
No.	Pin Name	
1	VSS	
2	VDD	
3	V0	
4	RS	
5	R/W	
6	E	
7	DB0	
8	DB1	
9	DB2	
10	DB3	
11	DB4	
12	DB5	
13	DB6	
14	DB7	
15	BLA	
16	BLK	



Pixels Details
Scale=8/1



Backlight Circuit
(No. of LEDs = 2x15pcs)
Scale=free



Panel Wiring Details
Scale=free

- Note:
- *1 LCD Display Type : STN-YG, Positive, Transflective
 - *2. Viewing Direction : 6H
 - *3. Duty : 1/16; Bias : 1/5
 - *4. Operating Voltage : 5.0V
 - *5. Backlight Color : YG
 - *6. Operating Temperature : -20°C~70°C
 - *7. Storage Temperature : -30°C~80°C
 - *8. An external VR(5k) must be connected for Contrast Control.
 - *9. Environmental Safe Standard : RoHS

<h1>TS DISPLAY</h1>			
Dwg Title TSM2004-5 Outline			
Dwg No. 060051		Date 2006-10-09	
Scale 3/2	Unit mm	Tol. ±0.5	
Drawn JACK	Checked	Approved	