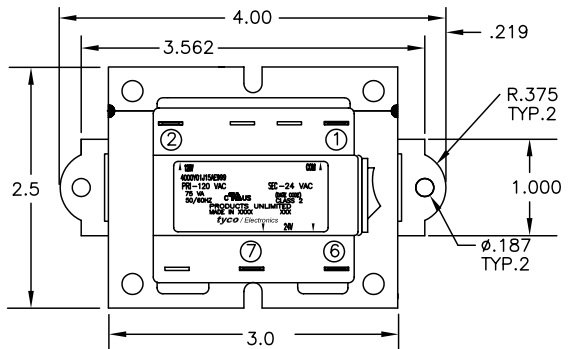


THIS DRAWING IS UNPUBLISHED. RELEASED FOR PUBLICATION
 © COPYRIGHT BY TYCO ELECTRONICS CORPORATION. ALL RIGHTS RESERVED.

LOC	DIST	REVISIONS		
GZ	00	P	LTR	DESCRIPTION
		B		ECR-06-021562
			DATE	DWN
			12SEP06	KH
			APVD	HT

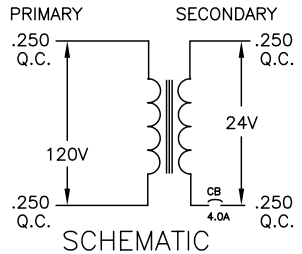
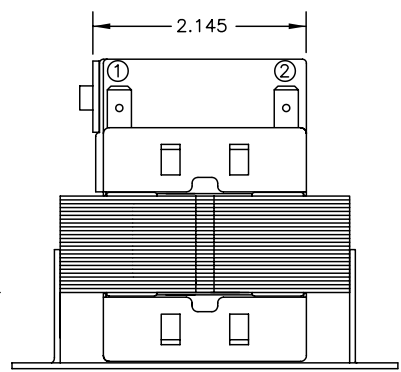
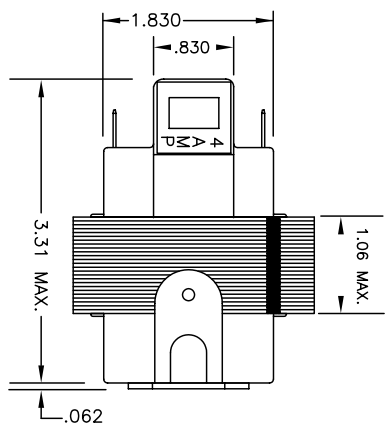
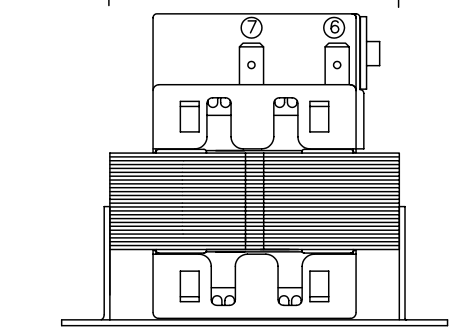


PRIMARY					
TERM. NO.	1	2	3	4	5
VOLTAGE	COM	120			
TERMINAL WIDTH	.250	.250			
TERMINAL THICKNESS	.032	.032			

NOTES
 1. DIMENSIONS FOR REFERENCE ONLY.
 2. WINDING PROTECTION- 4.0 AMP CIRCUIT BREAKER IN SECONDARY NON-NHERENTLY LIMITED

SECONDARY					
TERM. NO.	6	7	8	9	
VOLTAGE	24	VAC			
TERMINAL WIDTH	.250	.250			
TERMINAL THICKNESS	.032	.032			

CERTIFICATION:UL/CUL FILE NO E87824



TYCO PART NUMBER
 4-1611469-0

THIS DRAWING IS A CONTROLLED DOCUMENT.		DWN	K.H.	21JAN03	Tyco Electronics Corporation Harrisburg, PA 17105-3608
DIMENSIONS: INCHES		CHK	DH	21JAN03	
TOLERANCES UNLESS OTHERWISE SPECIFIED:		APVD	HT	21JAN03	
0 PLC ± - 1 PLC ± - 2 PLC ± .01 3 PLC ± .005 4 PLC ± - ANGLES ± -		NAME		TRANSFORMER OUTLINE P.U. STOCK	
MATERIAL	FINISH	WEIGHT	A300779		DRAWING NO C=4000Y01J15AE999
CUSTOMER DRAWING		SCALE	1:1	SHEET	1 of 1
		REV			B