

THIS DRAWING IS UNPUBLISHED. RELEASED FOR PUBLICATION  
 © COPYRIGHT BY TYCO ELECTRONICS CORPORATION. ALL RIGHTS RESERVED.

LOC	DIST	REVISIONS			
P	LTR	DESCRIPTION	DATE	DWN	APVD
GZ	00	NEW FORMAT & EC0720-0136-04	08MAR04	MD	KH

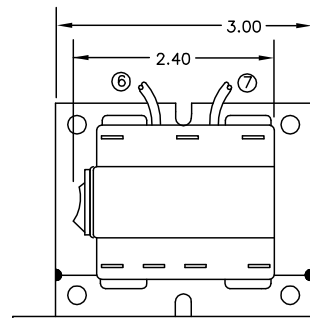
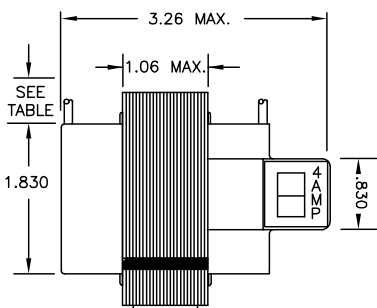
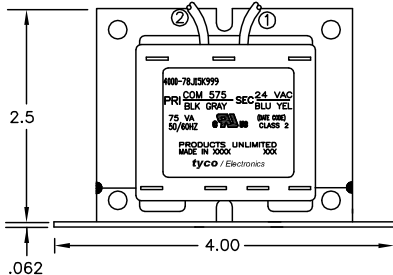
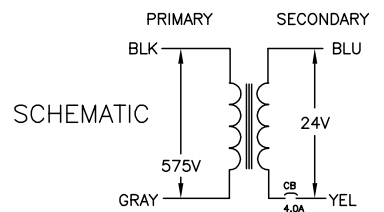
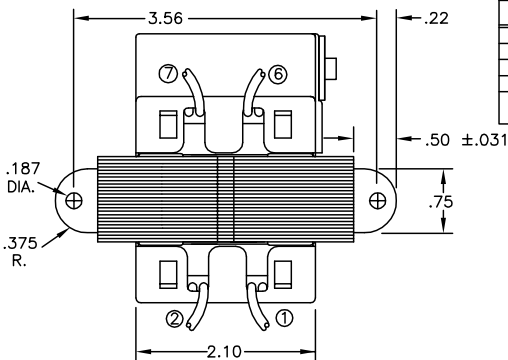
ALL LEADS 18AWG--UNLESS OTHERWISE SPECIFIED

PRIMARY					
LEAD NO.	1	2	3	4	5
VOLTAGE	COM	575			
COLOR	BLK	GRAY			
LENGTH	12.0	12.0			
STRIP LENGTH	.50	.50			

NOTES  
 1. DIMENSIONS FOR REFERENCE ONLY.  
 2. ALL LEADS +1/-0" TOL.  
 3. STRIP TOL. ±1/32  
 4. WINDING PROTECTION-- INTERNALLY PROTECTED--4.0 AMP CIRCUIT BREAKER.

CERTIFICATION: UL & CUL FILE NO. E87824

SECONDARY					
LEAD NO.	6	7	8	9	
VOLTAGE	24	VAC			
COLOR	BLU	YEL			
LENGTH	12.0	12.0			
STRIP LENGTH	.50	.50			



CUST. NO.	TYCO PART NUMBER
-	2-1611469-5

THIS DRAWING IS A CONTROLLED DOCUMENT.		DWN M.DAVIS	08MAR04	Tyco Electronics Corporation Harrisburg, Pa 17105-3608
DIMENSIONS: INCHES		CHK K.HOLSCHUH	08MAR04	
TOLERANCES UNLESS OTHERWISE SPECIFIED:		APVD K.HOLSCHUH	08MAR04	NAME TRANSFORMER OUTLINE
0 PLC ± -		PRODUCT SPEC		SIZE A3
1 PLC ± -		APPLICATION SPEC		CAGE CODE 00779
2 PLC ± -		WEIGHT		DRAWING NO C-4000-78J15K999
3 PLC ± -		CUSTOMER DRAWING		RESTRICTED TO
4 PLC ± -				SCALE NTS
ANGLES ± -				SHEET 1 OF 1
MATERIAL	FINISH			REV A