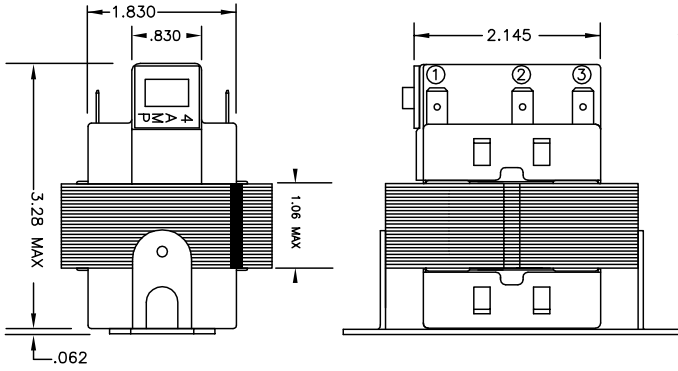
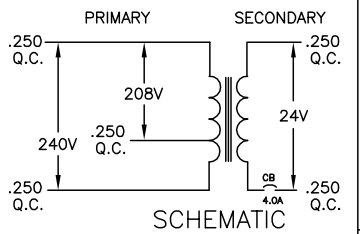
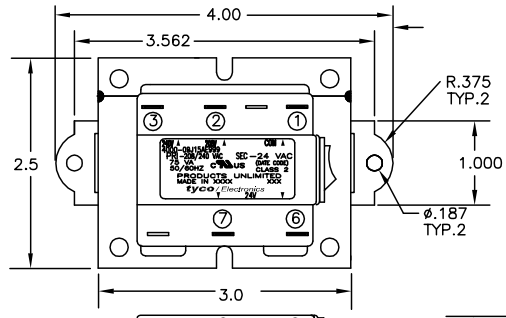


THIS DRAWING IS UNPUBLISHED. RELEASED FOR PUBLICATION  
 © COPYRIGHT BY TYCO ELECTRONICS CORPORATION. ALL RIGHTS RESERVED.

LOC	DIST	REVISIONS					
GZ	00	P	LTR	DESCRIPTION	DATE	DWN	APVD
		B		EC 0611-0299-03	16JUN03	MD	WS

PRIMARY					NOTES 1. DIMENSIONS FOR REFERENCE ONLY. 2. WINDING PROTECTION- 4.0 AMP CIRCUIT BREAKER IN SECONDARY NON-INHERENTLY LIMITING	CERTIFICATION: UL & CUL FILE NO. E87824			
TERMINAL VOLTAGE	1	2	3	4		SECONDARY			
TERMINAL WIDTH	.250	.250	.250			TERMINAL VOLTAGE	6	7	8
TERMINAL THICKNESS	.032	.032	.032			TERMINAL WIDTH	.250	.250	
						TERMINAL THICKNESS	.032	.032	



TYCO PART NUMBER  
7-1611468-5

THIS DRAWING IS A CONTROLLED DOCUMENT.		DWN	10FEB1997	
DIMENSIONS: INCHES		CHK	K.H.	
TOLERANCES UNLESS OTHERWISE SPECIFIED:		APVD	---	
0 PLC	± -	NAME	---	
1 PLC	± -	PRODUCT SPEC	---	
2 PLC	± -	APPLICATION SPEC	---	
3 PLC	± -	WEIGHT	---	
4 PLC	± -	CUSTOMER DRAWING	---	
ANGLES	± -	SIZE	A3	00779
FINISH	---	CAGE CODE	C= 4000-09J15AE999	
MATERIAL	---	DRAWING NO	4000-09J15AE999	
		RESTRICTED TO	---	
		SCALE	NONE	
		SHEET	1 OF 1	
		REV	B	

Products Tyco Electronics Corporation  
Harrisburg, PA 17105-3608

TRANSFORMER OUTLINE