

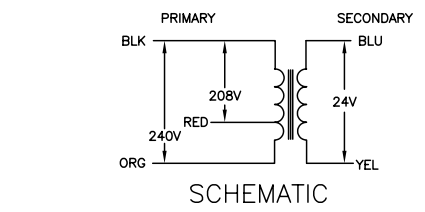
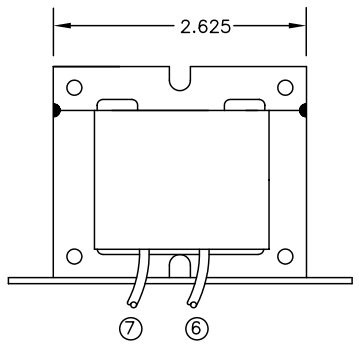
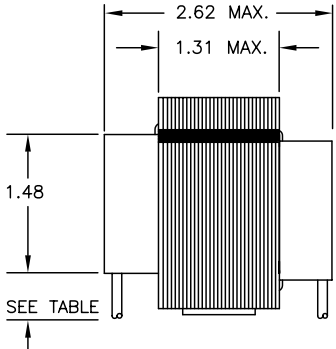
ALL LEADS 18AWG-UNLESS OTHERWISE SPECIFIED

PRIMARY				
LEAD NO.	1	2	3	4
VOLTAGE	COM	208	240	
COLOR	BLK	RED	ORG	
LENGTH	12.0	12.0	12.0	
STRIP LENGTH	.50	.50	.50	

- NOTES
1. DIMENSIONS FOR REFERENCE ONLY.
 2. ALL LEADS +1"/-0" TOL.
 3. STRIP TOL. ±1/32
 4. WINDING PROTECTION-INHERENTLY LIMITING

CERTIFICATION: UL/CUL FILE NO. E87824

SECONDARY				
LEAD NO.	6	7	8	9
VOLTAGE	24	VAC		
COLOR	BLU	YEL		
LENGTH	12.0	12.0		
STRIP LENGTH	.50	.50		



TYCO ELECTRONICS PART NUMBER
8-1611461-1

THIS DRAWING IS A CONTROLLED DOCUMENT.		DWN: K.H. 20JAN03	Tyco Electronics Corporation Harrisburg, PA 17105-3608	
DIMENSIONS: INCHES		CHK: DH 20JAN03	NAME: TRANSFORMER OUTLINE STOCK MODEL	
TOLERANCES UNLESS OTHERWISE SPECIFIED:		APVD: HT 20JAN03	RESTRICTED TO	
0 PLC ± -		PRODUCT SPEC	SIZE: A3 CAGE CODE: 00779 DRAWING NO: 4000-09AW18K999	
1 PLC ± -		APPLICATION SPEC	SCALE: 1:1 SHEET: 1 of 1 REV: C	
2 PLC ± .01		WEIGHT		
3 PLC ± .005		CUSTOMER DRAWING		
4 PLC ± -				
ANGLES ± -				
MATERIAL: - FINISH: -				