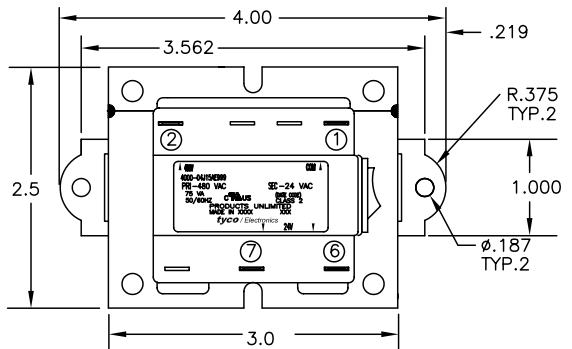


THIS DRAWING IS UNPUBLISHED. RELEASED FOR PUBLICATION
 © COPYRIGHT BY TYCO ELECTRONICS CORPORATION. ALL RIGHTS RESERVED.

LOC	DIST	REVISIONS		
GZ	00	P	LTR	APVD
		B	ECR-06-022111	HT
			DATE	DWN
			14SEP06	KH



PRIMARY					
TERM NO.	1	2	3	4	5
VOLTAGE	COM	480			
TERMINAL WIDTH	.250	.250			
TERMINAL THICKNESS	.032	.032			

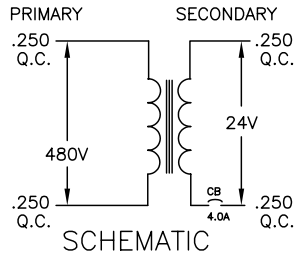
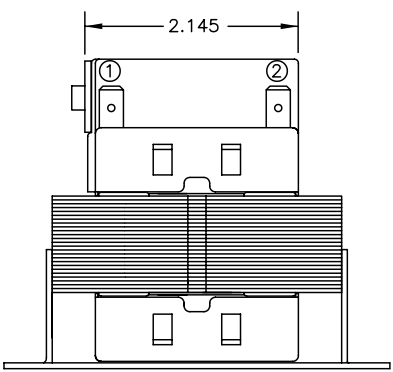
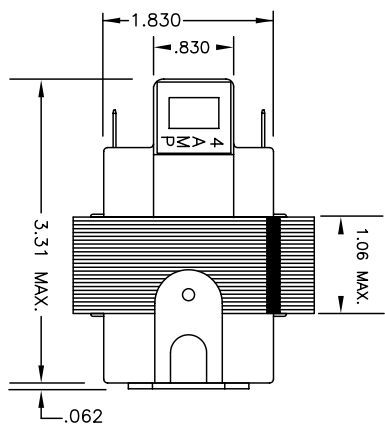
NOTES
 1. DIMENSIONS FOR REFERENCE ONLY.
 2. WINDING PROTECTION- 4.0 AMP CIRCUIT BREAKER IN SECONDARY NON-NHERENTLY LIMITED

SECONDARY								
TERM NO.	6	7	8	9				
VOLTAGE	24	VAC						
TERMINAL WIDTH	.250	.250						
TERMINAL THICKNESS	.032	.032						

CERTIFICATION:UL/CUL FILE NO E87824

D
C
B
A

D
C
B
A



TYCO PART NUMBER
 4-1611468-3

THIS DRAWING IS A CONTROLLED DOCUMENT.		DWN	K.H.	02FEB04	tyco Electronics	Tyco Electronics Corporation Harrisburg, PA 17105-3608	
DIMENSIONS: INCHES		CHK	DH	02FEB04		NAME	TRANSFORMER OUTLINE P.U. STOCK
TOLERANCES UNLESS OTHERWISE SPECIFIED:		APVD	HT	02FEB04	PRODUCT SPEC	SIZE	CAGE CODE
0 PLC ± -		APPLICATION SPEC		WEIGHT	DRAWING NO		RESTRICTED TO
1 PLC ± -		WEIGHT		A300779		C=4000-04J15AE999	
2 PLC ± .01		CUSTOMER DRAWING		SCALE	1:1	SHEET	1 of 1
3 PLC ± .005				REV	B		
4 PLC ± -							
ANGLES ± -							
MATERIAL							
FINISH							