

THIS DRAWING IS UNPUBLISHED. RELEASED FOR PUBLICATION  
 © COPYRIGHT BY TYCO ELECTRONICS CORPORATION. ALL RIGHTS RESERVED.

LOC	DIST	REVISIONS			
P	LTR	DESCRIPTION	DATE	DWN	APVD
GZ	00	NEW FORMAT & EC0720-0054-04	02FEB04	MD	WS

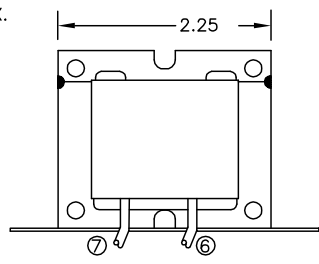
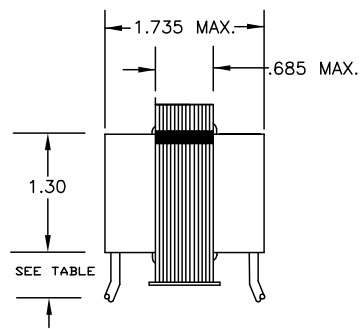
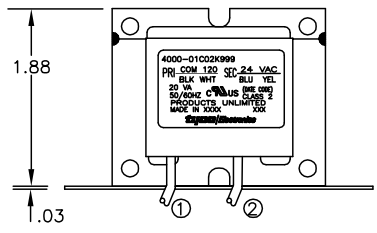
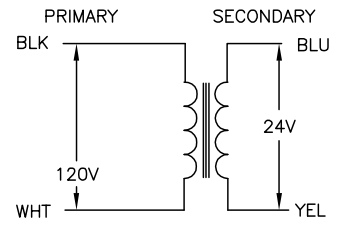
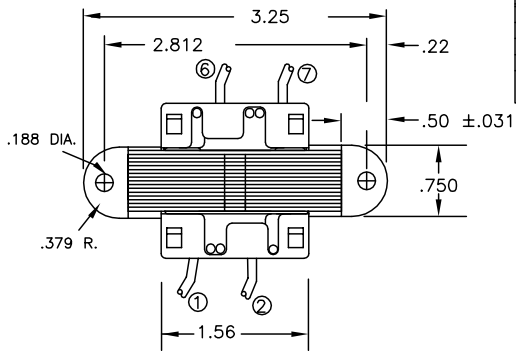
ALL LEADS 18AWG-UNLESS OTHERWISE SPECIFIED

LEAD NO.	1	2	3	4	5
VOLTAGE	COM	120			
COLOR	BLK	WHT			
LENGTH	12.0	12.0			
STRIP LENGTH	.50	.50			

- NOTES
- DIMENSIONS FOR REFERENCE ONLY.
  - ALL LEADS +1"/-0" TOL.
  - STRIP TOL. ±1/32
  - WINDING PROTECTION-INHERENTLY LIMITING

CERTIFICATION:  
UL & CUL FILE NO. E87824

SECONDARY	
LEAD NO.	
6	7
VOLTAGE	24 VAC
COLOR	BLU YEL
LENGTH	12.0 12.0
STRIP LENGTH	.50 .50



SEE TABLE

CUST. NO.	TYCO PART NUMBER
-	3-1611449-0

THIS DRAWING IS A CONTROLLED DOCUMENT.		DWN M.DAVIS 02FEB04	 Tyco Electronics Corporation Harrisburg, Pa 17105-3608	NAME	
DIMENSIONS:		CHK W.SORAH 02FEB04		TRANSFORMER OUTLINE	
INCHES		APVD W.SORAH 02FEB04		-	
TOLERANCES UNLESS OTHERWISE SPECIFIED:		APPLICATION SPEC	SIZE	CAGE CODE	DRAWING NO
0 PLC	±	-	A3	00779	C-4000-01C02K999
1 PLC	±	-	SCALE	NTS	SHEET 1 OF 1
2 PLC	±	-	RESTRICTED TO	-	REV A
3 PLC	±	-	CUSTOMER DRAWING		
4 PLC	±	-			
ANGLES	±1°	-			
MATERIAL	FINISH	-			

AMP 1470-19 REV 31MAR2000

H:\edmmod\0720-0054-04\customer\4000-01C02K999.dwg