

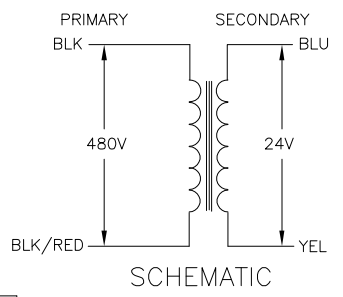
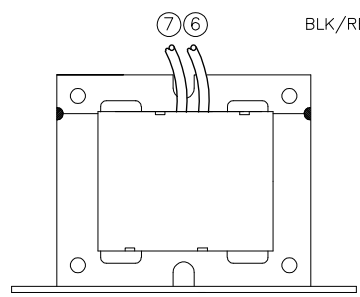
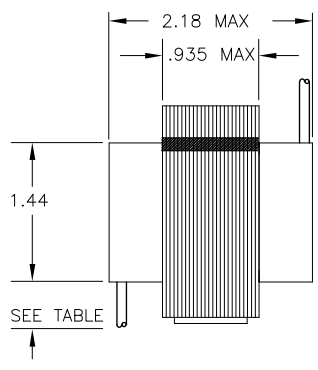
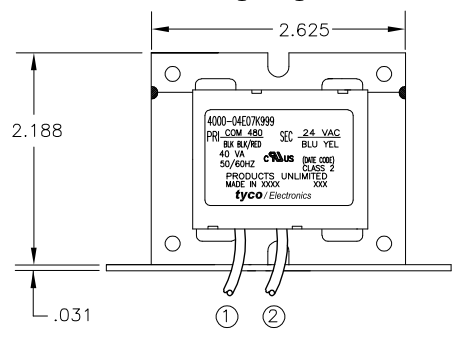
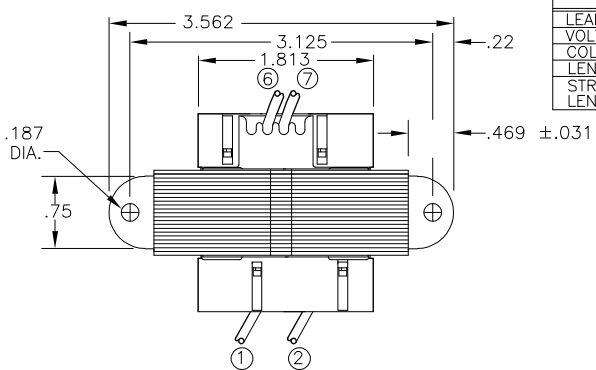
THIS DRAWING IS UNPUBLISHED. RELEASED FOR PUBLICATION
 © COPYRIGHT BY TYCO ELECTRONICS CORPORATION. ALL RIGHTS RESERVED.

LOC	DIST	REVISIONS					
GZ	00	P	LTR	DESCRIPTION	DATE	DWN	APVD
		B		0611-0155-03	16MAY2003	TCS	KH

PRIMARY			SECONDARY		
LEAD NO.	1	2	LEAD NO.	6	7
VOLTAGE	COM	480	VOLTAGE	24	VAC
COLOR	BLK	BLK/RED	COLOR	BLU	YEL
LENGTH	12.0	12.0	LENGTH	12.0	12.0
STRIP LENGTH	.50	.50	STRIP LENGTH	.50	.50

NOTES
 1. DIMENSIONS FOR REFERENCE ONLY.
 2. WINDING PROTECTION - INHERENTLY LIMITING

CERTIFICATION: UL, CUL FILE NO. E87824



TYCO PART NUMBER
 6-1611454-7

THIS DRAWING IS A CONTROLLED DOCUMENT.		DWN	11FFEB1997	Tyco Electronics Corporation	
		K.H.		Harrisburg, PA 17105-3608	
DIMENSIONS:		CHK		Products	
INCHES		APVD		-W-00000000	
TOLERANCES UNLESS OTHERWISE SPECIFIED:		NAME		TRANSFORMER OUTLINE	
0 PLC ±.005		PRODUCT SPEC		P.U. STOCK	
1 PLC ±.005		APPLICATION SPEC		SIZE	CAGE CODE
2 PLC ±.005		WEIGHT		A3	00779
3 PLC ±.005		CUSTOMER DRAWING		DRAWING NO	C=4000-04E07K999
4 PLC ±.005		SCALE		RESTRICTED TO	
ANGLES ±.005		NTS		SHEET	1 of 1
MATERIAL	FINISH			REV	B