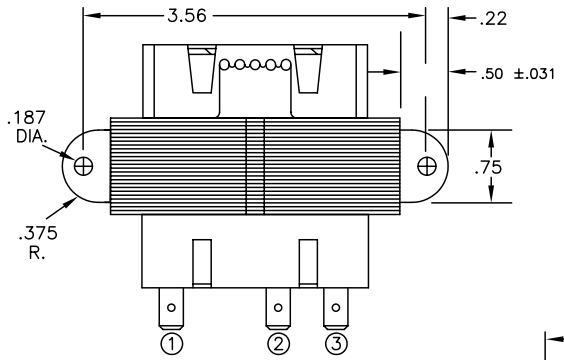


4 3 2 1

THIS DRAWING IS UNPUBLISHED. RELEASED FOR PUBLICATION
 © COPYRIGHT BY TYCO ELECTRONICS CORPORATION. ALL RIGHTS RESERVED.

LOC	DIST	REVISIONS					
GZ	00	P	LTR	DESCRIPTION	DATE	DWN	APVD
		O		0720-0427-04	30JUN04	KH	HT

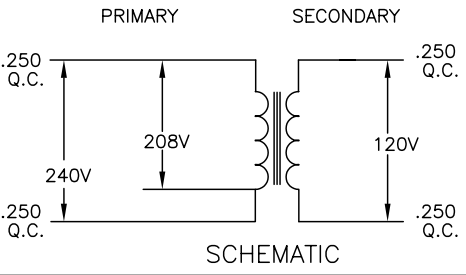
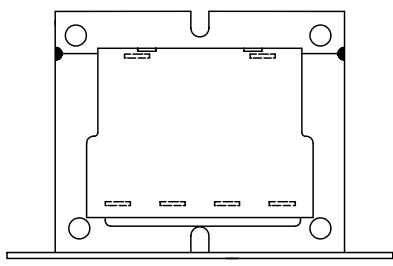
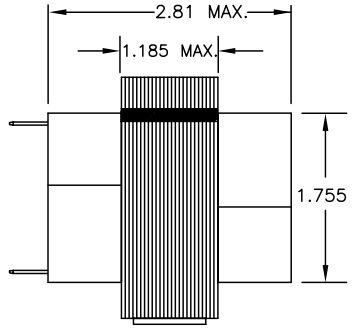
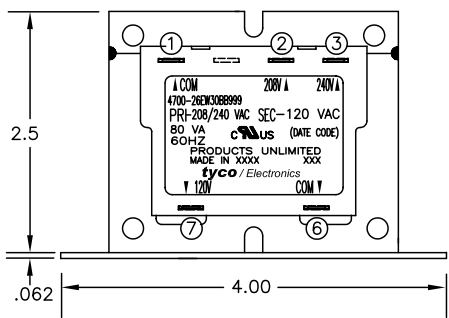


PRIMARY					
TERM NO.	1	2	3	4	5
VOLTAGE	COM	208	240		
TERMINAL WIDTH	.250	.250	.250		
TERMINAL THICKNESS	.032	.032	.032		

NOTES
 1. DIMENSIONS FOR REFERENCE ONLY.
 2. WINDING PROTECTION-NONE

SECONDARY				
TERM NO.	6	7	8	9
VOLTAGE	120	VAC		
TERMINAL WIDTH	.250	.250		
TERMINAL THICKNESS	.032	.032		

CERTIFICATION:UL/CUL FILE NO E102980



TYCO PART NUMBER
 8-1611470-5

THIS DRAWING IS A CONTROLLED DOCUMENT.		DWN	K.H.	30JUN04	Tyco Electronics Corporation Harrisburg, PA 17105-3608	
DIMENSIONS:		DR	HT	30JUN04		
INCHES		APVD	DH	30JUN04		
0 PLC ± - 1 PLC ± - 2 PLC ± .010 3 PLC ± .005 4 PLC ± - ANGLES ± -		NAME		TRANSFORMER OUTLINE P.U. STOCK		
MATERIAL	FINISH	WEIGHT	SIZE	CAGE CODE	DRAWING NO	RESTRICTED TO
-	-	-	A3	00779	C=4700-26EW30BB999	
CUSTOMER DRAWING			SCALE	NTS	SHEET	1 OF 1
					REV	0

AMP 1470-19 REV 31MAR2000