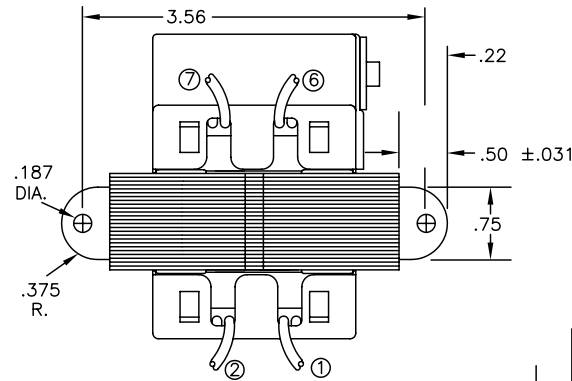


THIS DRAWING IS UNPUBLISHED. RELEASED FOR PUBLICATION  
 © COPYRIGHT BY TYCO ELECTRONICS CORPORATION. ALL RIGHTS RESERVED.

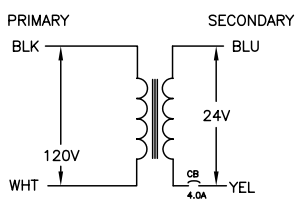
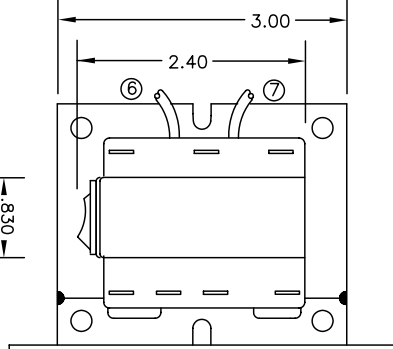
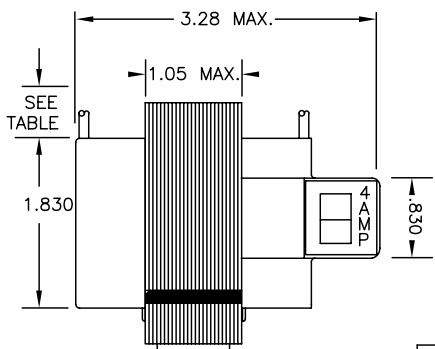
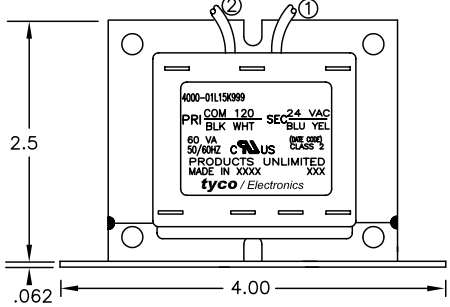
LOC	DIST	REVISIONS					
GZ	00	P	LTR	DESCRIPTION	DATE	DWN	APVD
		O		0611-0316-02	17JUN03	KH	HT



PRIMARY					
LEAD NO.	1	2	3	4	5
VOLTAGE	COM	120			
COLOR	BLK	WHT			
LENGTH	12.0	12.0			
STRIP LENGTH	.50	.50			

NOTES  
 1. DIMENSIONS FOR REFERENCE ONLY.  
 2. WINDING PROTECTION-INHERENTLY LIMITING

SECONDARY				
LEAD NO.	6	7	8	9
VOLTAGE	24	VAC		
COLOR	BLU	YEL		
LENGTH	12.0	12.0		
STRIP LENGTH	.50	.50		



SCHMATIC

TYCO PART NUMBER  
 4-1672103-1

THIS DRAWING IS A CONTROLLED DOCUMENT.		DWN	K.H.	17JUN03
DIMENSIONS:		CHK	DH	17JUN03
INCHES		APVD	HT	17JUN03
		NAME		
TOLERANCES UNLESS OTHERWISE SPECIFIED: 0 PLC ± - 1 PLC ± - 2 PLC ± - 3 PLC ± - 4 PLC ± - ANGLES ± -		Tyco Electronics Corporation Harrisburg, PA 17105-3608		
MATERIAL		PRODUCT SPEC APPLICATION SPEC SIZE CAGE CODE DRAWING NO RESTRICTED TO A3 00779 C=4000-01L15K999		
FINISH		WEIGHT CUSTOMER DRAWING SCALE 1:1 SHEET 1 OF 1 REV 0		

AMP 1470-19 REV 31MAR2000