

THIS DRAWING IS UNPUBLISHED. RELEASED FOR PUBLICATION
 © COPYRIGHT BY TYCO ELECTRONICS CORPORATION. ALL RIGHTS RESERVED.

LOC	DIST	REVISIONS			
P	LTR	DESCRIPTION	DATE	DWN	APVD
GZ	00				
	0	EC0720-0195-04	30MAR04	MD	WS

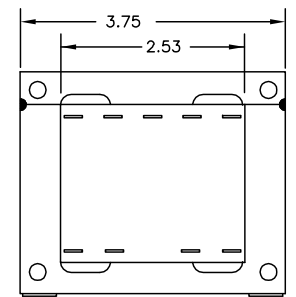
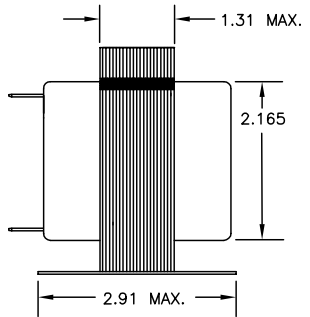
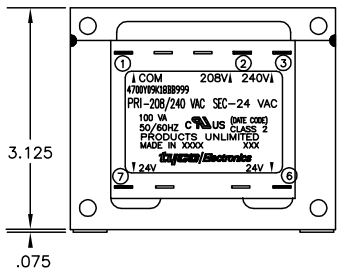
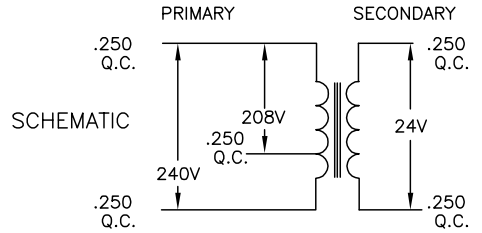
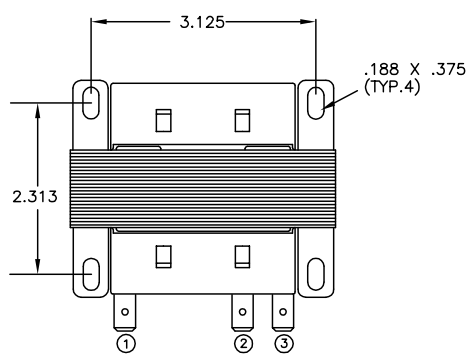
ALL LEADS 18AWG--UNLESS OTHERWISE SPECIFIED

PRIMARY	TERMINAL NO.	1	2	3	4	5
VOLTAGE	COM	208	240			
TERMINAL WIDTH		.250	.250	.250		
TERMINAL THICKNESS		.032	.032	.032		

- NOTES
1. DIMENSIONS FOR REFERENCE ONLY.
 2. ALL LEADS +1"/-0" TOL.
 3. STRIP TOL. ±1/32
 4. WINDING PROTECTION-NONE

CERTIFICATION: UL FILE NO. E102980

SECONDARY	TERMINAL NO.	6	7	8	9
VOLTAGE		24	VAC		
TERMINAL WIDTH		.250	.250		
TERMINAL THICKNESS		.032	.032		



CUST. NO.	TYCO PART NUMBER
-	4-1611471-7

THIS DRAWING IS A CONTROLLED DOCUMENT.		DWN M.DAVIS 03FEB04	Tyco Electronics Corporation Harrisburg, Pa 17105-3608	NAME TRANSFORMER OUTLINE	
DIMENSIONS: INCHES		CHK W.SORAH 03FEB04		PRODUCT SPEC	
TOLERANCES UNLESS OTHERWISE SPECIFIED:		APVD W.SORAH 03FEB04	APPLICATION SPEC		RESTRICTED TO
0 PLC ± - 1 PLC ± - 2 PLC ± - 3 PLC ± - 4 PLC ± - ANGLES ± 1°		WEIGHT		SIZE A3	
MATERIAL		FINISH		CAGE CODE 00779	
CUSTOMER DRAWING			DRAWING NO. C-4700Y09K18BB999		SCALE NTS
			SHEET 1 OF 1		REV 0