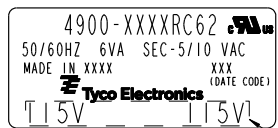
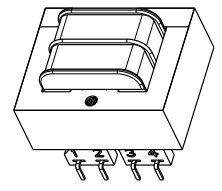
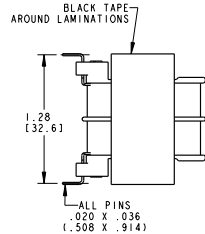
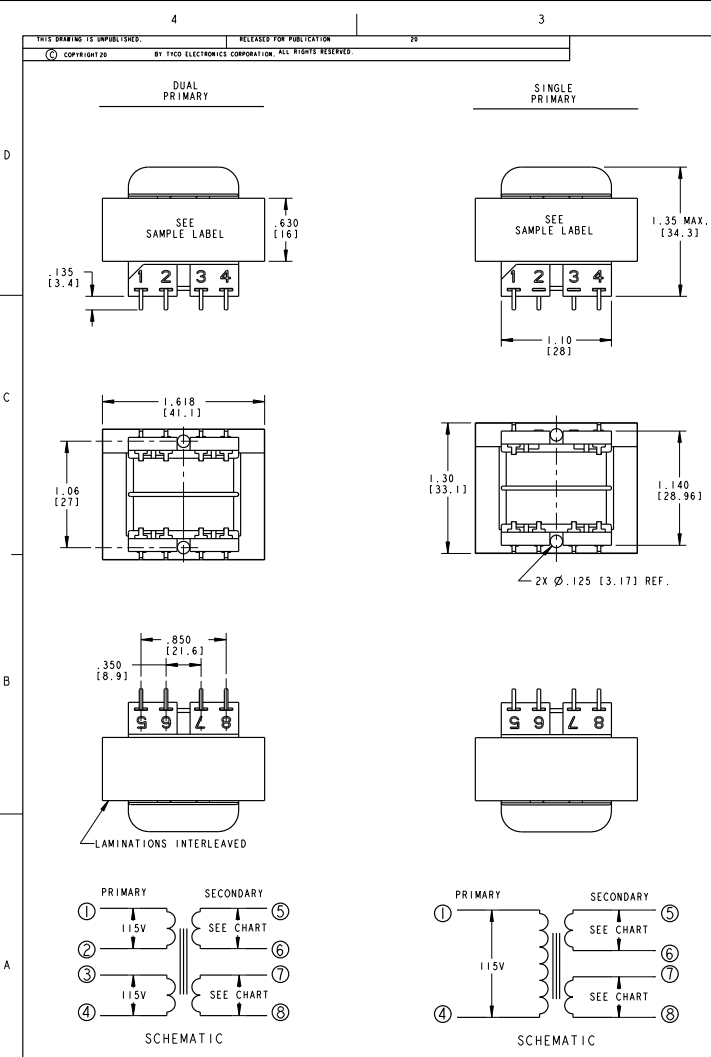


THIS DRAWING IS UNPUBLISHED. RELEASED FOR PUBLICATION  
 BY TYCO ELECTRONICS CORPORATION. ALL RIGHTS RESERVED.  
 COPYRIGHT 2000

REVISONS		DATE	BY	APP'D
F	ECR-09-005692	13APR2000	JS	JH
G	ECR-09-011290	08JUN2000	JS	JH
H	ECR-10-013410	28JUN2010	JS	DB

CERTIFICATION: UL/CUL FILE NO. E102980 HZ. 50/60 V. A. 6  
 DIMENSIONS FOR REFERENCE ONLY.

PRIMARY	SECONDARY		P. U. PART NUMBER	TYCO ELECTRONICS PART NUMBER
	SERIES	PARALLEL		
115 VAC	10 VCT	5 VAC	4900-8010RC62	3-1672209-7
115 VAC	16 VCT	8 VAC	4900-8016RC62	4-1672209-0
115 VAC	20 VCT	10 VAC	4900-8020RC62	4-1672209-1
115 VAC	24 VCT	12 VAC	4900-8024RC62	4-1672209-2
115 VAC	28 VCT	14 VAC	4900-8028RC62	4-1672209-3
115 VAC	36 VCT	18 VAC	4900-8036RC62	4-1672209-5
115 VAC	120 VCT	60 VAC	4900-8120RC62	4-1672209-8
115/230 VAC	10 VCT	5 VAC	4900-9010RC62	4-1672209-9
115/230 VAC	16 VCT	8 VAC	4900-9016RC62	5-1672209-2
115/230 VAC	20 VCT	10 VAC	4900-9020RC62	5-1672209-3
115/230 VAC	24 VCT	12 VAC	4900-9024RC62	5-1672209-4
115/230 VAC	28 VCT	14 VAC	4900-9028RC62	5-1672209-5
115/230 VAC	36 VCT	18 VAC	4900-9036RC62	5-1672209-7
115/230 VAC	120 VCT	60 VAC	4900-9120RC62	6-1672209-0



SAMPLE LABEL SCALE 4:1  
 VOLTAGE ON LABEL WILL VARY PER MODEL NUMBER

DRA S. L. IXE 17AUG2007		Tyco Electronics Harrisburg, PA 17105-3608	
C. D. HAGGARD 17AUG2007		NAME	
APPR. J. HURLBUR 17AUG2007		TRANSFORMER OUTLINE	
D IMENSIONS (mm)		APPLICATION SPEC	
INCHES (mm)		SIZE CASE CODE (DRAWING NO.)	
MATERIAL		A2 00779 C=4900-RC62	
CUSTOMER DRAWING		SCALE 3:2 SHEET 1 OF 1 REV H	

AMP 1471-9 REV 31MAR2000