

THIS DRAWING IS UNPUBLISHED. RELEASED FOR PUBLICATION
 © COPYRIGHT BY TYCO ELECTRONICS CORPORATION. ALL RIGHTS RESERVED.

LOC	DIST	REVISIONS					
GZ	00	P	LTR	DESCRIPTION	DATE	DWN	APVD
		A		NEW FORMAT & EC0720-0089-04	13FEB04	MD	KH

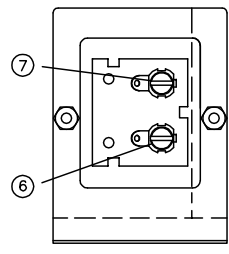
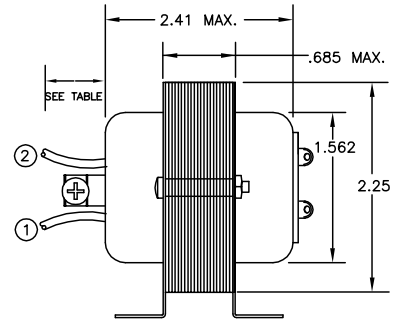
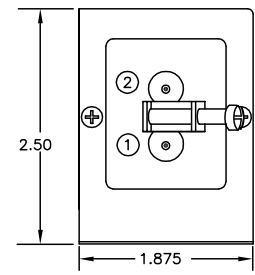
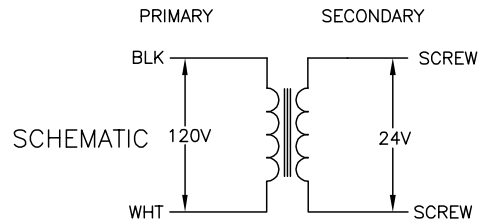
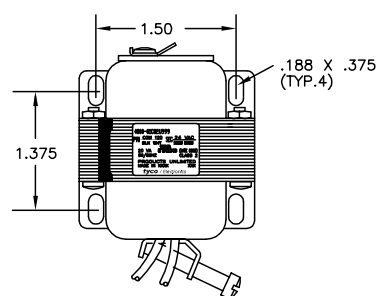
ALL LEADS 18AWG-UNLESS OTHERWISE SPECIFIED

PRIMARY					
LEAD NO.	1	2	3	4	5
VOLTAGE	COM	120			
COLOR	BLK	WHT			
LENGTH	12.0	12.0			
STRIP LENGTH	.50	.50			

- NOTES
- DIMENSIONS FOR REFERENCE ONLY.
 - ALL LEADS +1"/-0" TOL.
 - STRIP TOL. ±1/32
 - WINDING PROTECTION-INHERENTLY LIMITING

CERTIFICATION:
UL & CUL FILE NO. E87824

SECONDARY				
LEAD NO.	6	7	8	9
VOLTAGE	24	VAC		
COLOR				
LENGTH	SCREW	SCREW		
STRIP LENGTH				



THIS DRAWING IS A CONTROLLED DOCUMENT.

DIMENSIONS:	TOLERANCES UNLESS OTHERWISE SPECIFIED:
INCHES	
0 PLC	± -
1 PLC	± -
2 PLC	± -
3 PLC	± -
4 PLC	± -
ANGLES	± -
MATERIAL	FINISH
-	-

DWN	M.DAVIS	13FEB04
CHK	K.HOLSCHUH	13FEB04
APVD	K.HOLSCHUH	13FEB04
PRODUCT SPEC	-	-
APPLICATION SPEC	-	-
WEIGHT	-	-
CUSTOMER DRAWING	-	-

CUST. NO.	-	TYCO PART NUMBER	3-1611449-3
		Tyco Electronics Corporation Harrisburg, Pa 17105-3608	
NAME			
TRANSFORMER OUTLINE			
SIZE	A3	CAGE CODE	00779
DRAWING NO	C=4000-01C02U999		RESTRICTED TO
SCALE		NTS	SHEET 1 of 1 REV A