

THIS DRAWING IS UNPUBLISHED. RELEASED FOR PUBLICATION
 © COPYRIGHT BY TYCO ELECTRONICS CORPORATION. ALL RIGHTS RESERVED.

LOC	DIST	REVISIONS			
P	LTR	DESCRIPTION	DATE	DWN	APD
GZ	00	NEW FORMAT & EC0720-0161-04	11MAR04	MD	KH

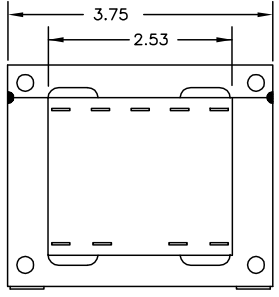
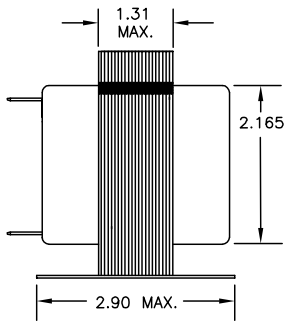
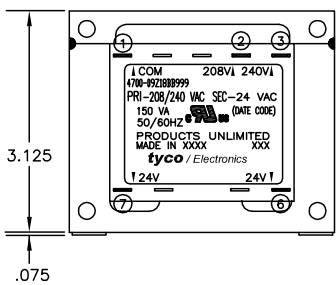
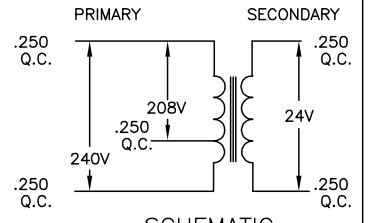
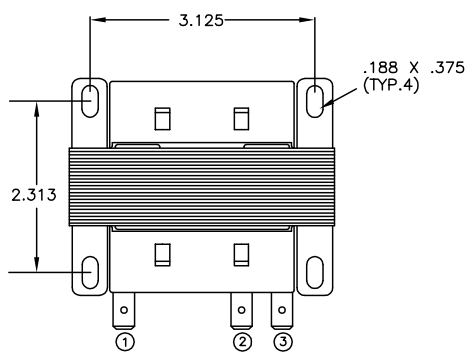
ALL LEADS 18AWG--UNLESS OTHERWISE SPECIFIED

PRIMARY					
TERMINAL NO.	1	2	3	4	5
VOLTAGE	COM	208	240		
TERMINAL WIDTH	.250	.250	.250		
TERMINAL THICKNESS	.032	.032	.032		

- NOTES
1. DIMENSIONS FOR REFERENCE ONLY.
 2. ALL LEADS +1"/-0" TOL.
 3. STRIP TOL. ±1/32
 4. WINDING PROTECTION-NONE

CERTIFICATION:
UL & CUL FILE NO. E102980

SECONDARY					
TERMINAL NO.	6	7	8	9	
VOLTAGE	24	VAC			
TERMINAL WIDTH	.250	.250			
TERMINAL THICKNESS	.032	.032			



CUST. NO.	TYCO PART NUMBER
-	1611476-8

THIS DRAWING IS A CONTROLLED DOCUMENT.		DWI M.DAVIS 11MAR04	Tyco Electronics Corporation Harrisburg, Pa 17105-3608
DIMENSIONS:		CHK K.HOLSCHUH 11MAR04	
TOLERANCES UNLESS OTHERWISE SPECIFIED:		APD K.HOLSCHUH 11MAR04	
INCHES	0 PLC ± -	1 PLC ± -	NAME TRANSFORMER OUTLINE
	1 PLC ± -	2 PLC ± -	PRODUCT SPEC
	2 PLC ± -	3 PLC ± -	APPLICATION SPEC
	3 PLC ± -	4 PLC ± -	SIZE A3
	4 PLC ± -	ANGLES ± -	CAGE CODE 00779
MATERIAL	FINISH	WEIGHT	DRAWING NO C-4700-09Z18BB999
-	-	-	RESTRICTED TO
CUSTOMER DRAWING			SCALE NTS
			SHEET 1 OF 1
			REV A