

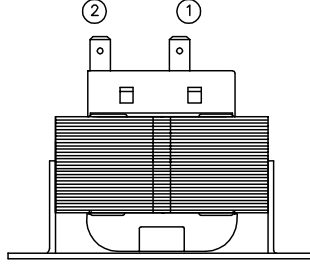
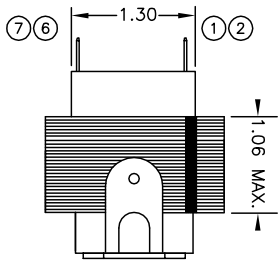
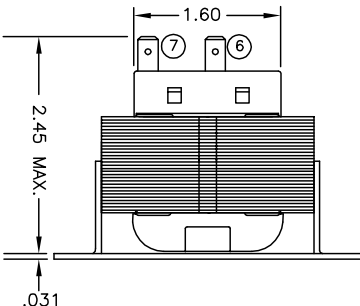
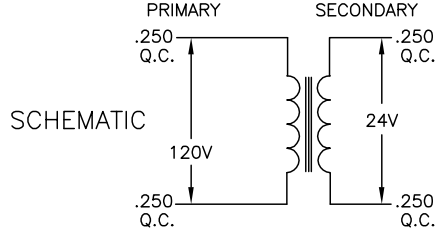
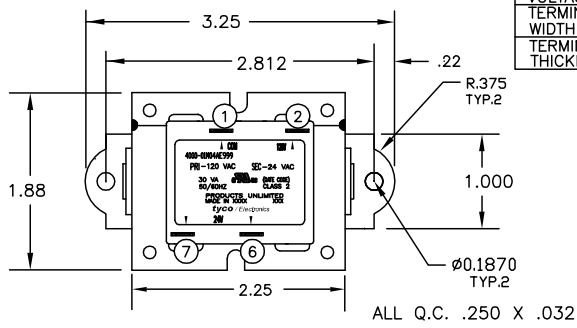
THIS DRAWING IS UNPUBLISHED. RELEASED FOR PUBLICATION  
 © COPYRIGHT BY TYCO ELECTRONICS CORPORATION. ALL RIGHTS RESERVED.

LOC	DIST	REVISONS		
GZ	00	P	LTR	DESCRIPTION
		A		NEW FORMAT & EC0720-0089-04
				DATE 13FEB04 DWN MD APVD KH

NOTES  
 1. DIMENSIONS FOR REFERENCE ONLY.  
 2. WINDING PROTECTION-INHERENTLY LIMITING

PRIMARY			
TERMINAL NO.	1	2	3
VOLTAGE	COM	120	
TERMINAL WIDTH	.250	.250	
TERMINAL THICKNESS	.032	.032	


CERTIFICATION: UL & CUL FILE NO. E87824		
SECONDARY		
TERMINAL NO.	6	7
VOLTAGE	24	VAC
TERMINAL WIDTH	.250	.250
TERMINAL THICKNESS	.032	.032



THIS DRAWING IS A CONTROLLED DOCUMENT.

DIMENSIONS:	TOLERANCES UNLESS OTHERWISE SPECIFIED:	
INCHES	0 PLC	± -
	1 PLC	± -
	2 PLC	± -
	3 PLC	± -
	4 PLC	± -
	ANGLES	± -
MATERIAL	FINISH	

DWN	13FEB04
M.DAVIS	
CHK	13FEB04
K.HOLSCHUH	
APVD	13FEB04
K.HOLSCHUH	
PRODUCT SPEC	
APPLICATION SPEC	
WEIGHT	
CUSTOMER DRAWING	

CUST. NO.	TYCO PART NUMBER
-	1611450-3
 Tyco Electronics Corporation Harrisburg, Pa 17105-3608	
NAME: TRANSFORMER OUTLINE	
SIZE	CAGE CODE
A3	00779
DRAWING NO	RESTRICTED TO
C=4000-01M04AE999	-
SCALE	SHEET
NTS	1 of 1
REV	A

AMP 1470-19 REV 31MAR2000