

THIS DRAWING IS UNPUBLISHED. RELEASED FOR PUBLICATION
 © COPYRIGHT BY TYCO ELECTRONICS CORPORATION. ALL RIGHTS RESERVED.

| | | | | | | | |
|-----|------|-----------|-----|-----------------------------|---------|-----|------|
| LOC | DIST | REVISIONS | | | | | |
| GZ | 00 | P | LTR | DESCRIPTION | DATE | DWN | APVD |
| | | A | | NEW FORMAT & EC0720-0054-04 | 03FEB04 | MD | WS |

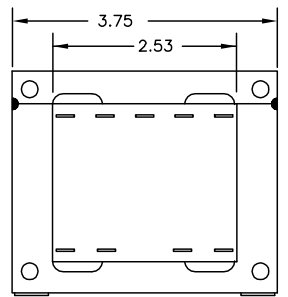
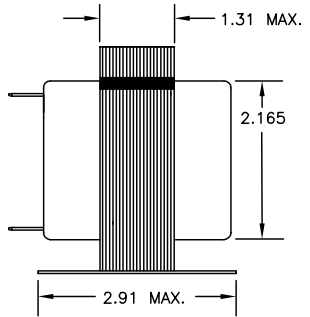
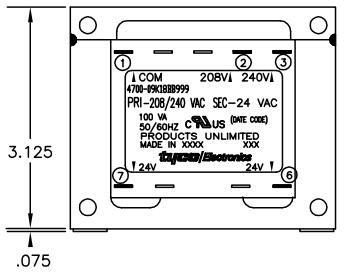
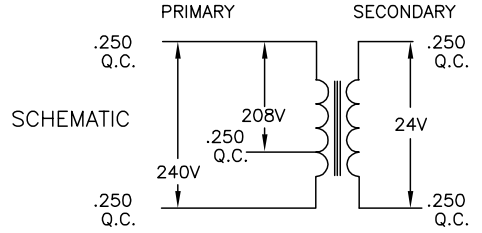
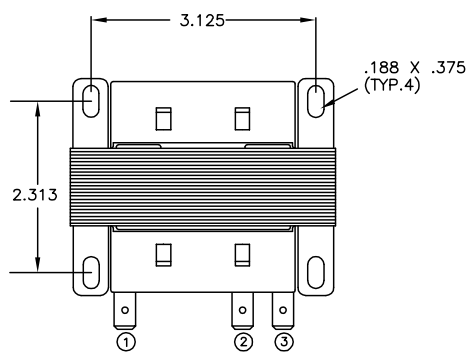
ALL LEADS 18AWG—UNLESS OTHERWISE SPECIFIED

| TERMINAL NO. | 1 | 2 | 3 | 4 | 5 |
|--------------------|------|------|------|---|---|
| VOLTAGE | COM | 208 | 240 | | |
| TERMINAL WIDTH | .250 | .250 | .250 | | |
| TERMINAL THICKNESS | .032 | .032 | .032 | | |

- NOTES—
1. DIMENSIONS FOR REFERENCE ONLY.
 2. ALL LEADS +1"/-0" TOL.
 3. STRIP TOL. ±1/32
 4. WINDING PROTECTION—NONE

CERTIFICATION: UL FILE NO. E102980

| SECONDARY | | | | |
|--------------------|------|------|---|---|
| TERMINAL NO. | 6 | 7 | 8 | 9 |
| VOLTAGE | 24 | VAC | | |
| TERMINAL WIDTH | .250 | .250 | | |
| TERMINAL THICKNESS | .032 | .032 | | |



| | |
|-----------|------------------|
| CUST. NO. | TYCO PART NUMBER |
| - | 1-1611475-3 |

THIS DRAWING IS A CONTROLLED DOCUMENT.

| DIMENSIONS: | TOLERANCES UNLESS OTHERWISE SPECIFIED: |
|-------------|--|
| INCHES | |
| 0 PLC | ± - |
| 1 PLC | ± - |
| 2 PLC | ± - |
| 3 PLC | ± - |
| 4 PLC | ± - |
| ANGLES | ± 1° |
| MATERIAL | FINISH |
| - | - |

| | | | |
|------------------|---------------------|---------|---|
| DWN | M.DAVIS | 03FEB04 | Tyco Electronics Corporation Harrisburg, Pa 17105-3608 |
| CHK | W.SORAH | 03FEB04 | |
| APVD | W.SORAH | 03FEB04 | |
| NAME | TRANSFORMER OUTLINE | | |
| PRODUCT SPEC | - | | RESTRICTED TO |
| APPLICATION SPEC | - | | |
| WEIGHT | - | | |
| CUSTOMER DRAWING | SCALE | NTS | SHEET 1 OF 1 REV A |

| | | | |
|------|-----------|-------------------|---------------|
| SIZE | CAGE CODE | DRAWING NO | RESTRICTED TO |
| A3 | 00779 | C=4700-09K18BB999 | - |