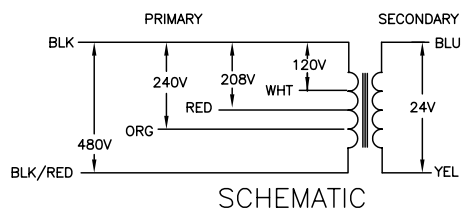
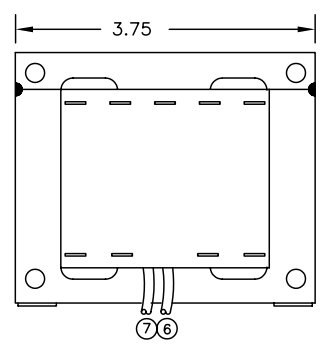
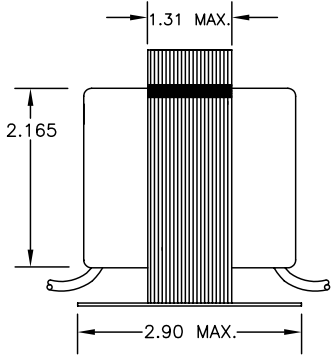
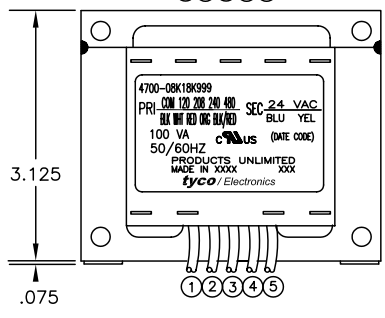


PRIMARY					
LEAD NO.	1	2	3	4	5
VOLTAGE	COM	120	208	240	480
COLOR	BLK	WHT	RED	ORG	BLK/RED
LENGTH	12.0	12.0	12.0	12.0	12.0
STRIP LENGTH	.50	.50	.50	.50	.50

NOTES
 1. DIMENSIONS FOR REFERENCE ONLY.
 2. WINDING PROTECTION-NONE

SECONDARY				
LEAD NO.	6	7	8	9
VOLTAGE	24	VAC		
COLOR	BLU	YEL		
LENGTH	12.0	12.0		
STRIP LENGTH	.50	.50		



THIS DRAWING IS A CONTROLLED DOCUMENT.

DIMENSIONS:	TOLERANCES UNLESS OTHERWISE SPECIFIED:
INCHES	0 PLC ± -
	1 PLC ± -
	2 PLC ± -
	3 PLC ± -
	4 PLC ± -
	ANGLES ± -
MATERIAL	FINISH
-	-

DWN: M. DAVIS	11MAR04		Tyco Electronics Corporation
CHK: DH	11MAR04		Harrisburg, PA 17105-3608
APVD: HT	11MAR04		
NAME		TRANSFORMER OUTLINE	
PRODUCT SPEC		P.U. STOCK	
APPLICATION SPEC		SIZE: A3	CAGE CODE: 000779
WEIGHT		DRAWING NO: C=4700-08K18K999	
CUSTOMER DRAWING		SCALE: 1:1	SHEET: 1 of 1
		REV: B	